



# Catalogue 2011-2012



smart energy solutions

## WhisperPower smart energy solutions



**Emergency and medical vehicles**



**Commercial craft**



**Horse boxes and recreational vehicles**



**Sailing yachts**



**Autonomous power systems**



**Motor yachts**



**Defence vehicles**



**Demonstration vehicles, broadcast vehicles and special purpose trucks**



**Tailor made service**

## INTRODUCTION

### THE WORLD OF WHISPERPOWER

#### PRODUCTS AND SYSTEMS FOR MARINE APPLICATIONS

- Genverter power systems - variable speed	10
- Genverter power systems - hybrid technology	12
- Marine generator systems - 3000/3600 rpm	14
- Marine generator systems - 1500/1800 rpm	18
- Installation accessories	25
- Service kits	26
- Electric propulsion for yachts	30
- Hybrid propulsion & power systems	31

#### PRODUCTS AND SYSTEMS FOR MOBILE APPLICATIONS

- Belt Power	42
- Genverter power systems - variable speed	44
- Genverter power systems - hybrid technology	46
- Mobile generator systems - 3000/3600 rpm	48
- Mobile generator systems - 1500/1800 rpm	53
- Installation accessories	59

#### PRODUCTS AND SYSTEMS FOR LAND BASED APPLICATIONS

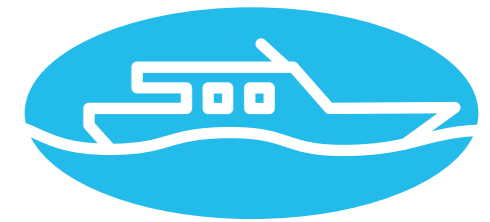
- Portable Diesel generator	64
- Genverter power systems - variable speed	65
- Genverter power systems - hybrid technology	67
- Custom made systems	69

#### PRODUCTS AND COMPONENTS FOR GENERAL USE

- Monitoring & control/instrumentation	72
- WBM High Precision Battery Monitor	74
- Energy Storage: AGM/GEL/Lithium ION batteries	75

#### GENERAL INFORMATION

- Custom fit with carriages & frames	78
- Specialty products	79
- Where to buy - service support	80
- WarrantyPlan	82
- Reference list	83
- Marketing information	84
- Contact information	86



# Contents



smart energy solutions

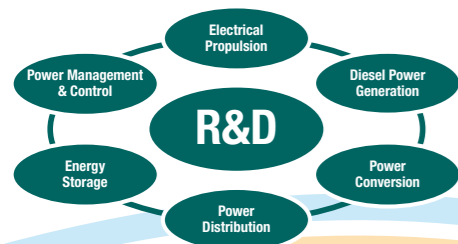
## Introducing:

We are proud to introduce you to our company, WhisperPower. Established in 2007 by a highly experienced team of experts, the company has quickly developed into a reliable supplier of power systems that are successfully used all over the world. From China to the US, from Monaco to Stavanger, from Amsterdam to Santos Brasilia.

### This catalogue presents the comprehensive WhisperPower product range

For land and maritime applications, for professional as well as recreational use. We offer a superb selection of advanced high-tech products that meet the very highest requirements.

From generators with capacities from 3.5 to 200 kVA and matching components to custom-composed systems and our series of innovative 'all-in-one' gensets.



Research & Development is a core activity at WhisperPower. Our Engineering Department develops smart solutions for all areas of the energy system, which serve as the foundation for innovative products and ensure you top quality and maximum efficiency.

### Efficient, clean and sustainable systems

WhisperPower offers everything you need for an efficient, clean and exceptionally quiet power system: Smart energy solutions in every aspect. Our top-quality systems and components come with excellent warranty conditions backed up by a healthy global service network. Each product is characterised by its sustainable and reliable operation and exceptionally long life-span as WhisperPower provides premium quality and genuine value for money.



smart energy solutions



The R&D specialists at WhisperPower develop intelligent, sustainable and above all innovative solutions for every product. One of their current areas of focus is the further development of hybrid technology and power electronics based systems. The use of high-tech mechatronics - the combination of mechanics and electronics - is always centre stage. This offers the foundation for eco-friendly reliability and compact, whisper-quiet generator systems that have the least possible impact on the environment.



This includes electrically controlled diesel engines that supply a constant power quality and optimal efficiency at any speed, resulting in minimal fuel consumption and negligible emissions. The exceptional production and assembly processes at WhisperPower combine our own expertise with outside support when necessary.



Part of the manufacturing process is performed in-house while others are outsourced to leading manufacturers and suppliers worldwide. At all times the entire process remains in the specialist hands of WhisperPower in order to ensure that each product meets the very strictest requirements. A responsible approach to energy is a vital aspect for WhisperPower. This is typified by our headquarters in the green Dutch province of Friesland, where we have been located since January 2009.



The building is a showcase for the very latest thinking in terms of energy-friendly sustainability and includes facilities such as solar cells and climate control based on an eco-energy recovery system. We save as much energy as possible in all our daily operations, using thermal storage for residual heat or power. Tours of these groundbreaking new premises are available upon request.



# A young but highly experienced company WhisperPower



The not-so-hidden force behind WhisperPower is Roel J. ter Heide, who has been professionally involved in the development of sustainable and independent power systems since the 1980s. In 2007 Roel and a team of experienced professionals gave a new impulse to his enthusiasm for this industry by establishing the independent company WhisperPower. The new and energetic company started off with a wealth of knowledge and experience; an excellent foundation for success. Ter Heide's focus is on innovative and sustainable generator systems, hybrid technology and, among other things, the further development of emission-neutral fuel cells. WhisperPower has already raised the global standard in the field of energy systems, and will continue to do so in the future.

### For small and large power demands

WhisperPower aims to be your reliable partner in energy. We offer a wealth of expertise to provide you with the best possible solutions. Road signs or household power, large-scale consumption for professional or recreational purposes, fire engines or tugboats; whatever your energy demands, WhisperPower can provide you with the most intelligent solution and an excellent service network.

### Leading in sustainability and intelligent systems

WhisperPower is a global leader in the field of sustainability, with an ever-increasing range of 'all-in-one' Genverter systems; compact, efficient and, if possible, hybrid power systems that combine all the necessary functions. Generator, battery, inverter, switch system and power management; all components are perfectly balanced within a single smart system. One compact box provides a complete system that is easy to install without cabling or component issues.

### Whisper-silent operation and low emissions

With WhisperPower you achieve silent power generation with maximum efficiency and minimal emissions. Operation and power management are unprecedentedly easy thanks to the intelligent application of electronics and display technologies.

This makes every WhisperPower system easy to operate, even via remote control or wireless internet.

### Global service network

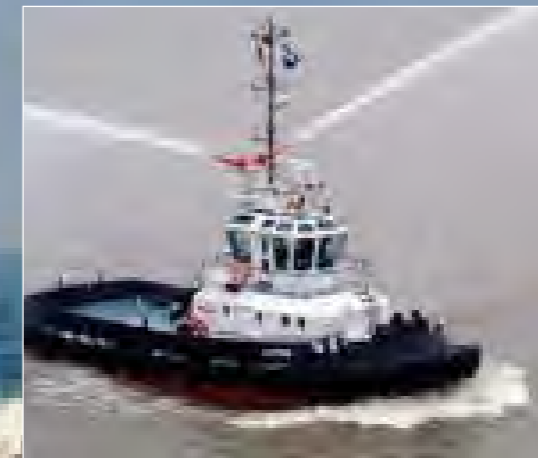
Based on the widespread previous experience of the company founders, WhisperPower established a global network for distribution, sales and service within a short time. Our end users can count on professional support and all the service expected from a premium brand. Providing the necessary training and documentation, we ensure that every WhisperPower system and product is supported by an appropriate degree of expertise and experience.

### Rest assured

Choosing WhisperPower gives you the assurance of the global WhisperPower WarrantyPlan. We continue to take responsibility for our products long after the delivery, just as parents do for their children.

WhisperPower has a great deal to offer, now and in the future, including the best possible solution for your energy demands. This catalogue is designed to introduce you to our complete range of silent, sustainable and independent power systems. We look forward to providing you with more personally tailored information!

# For on the water Smart energy solutions



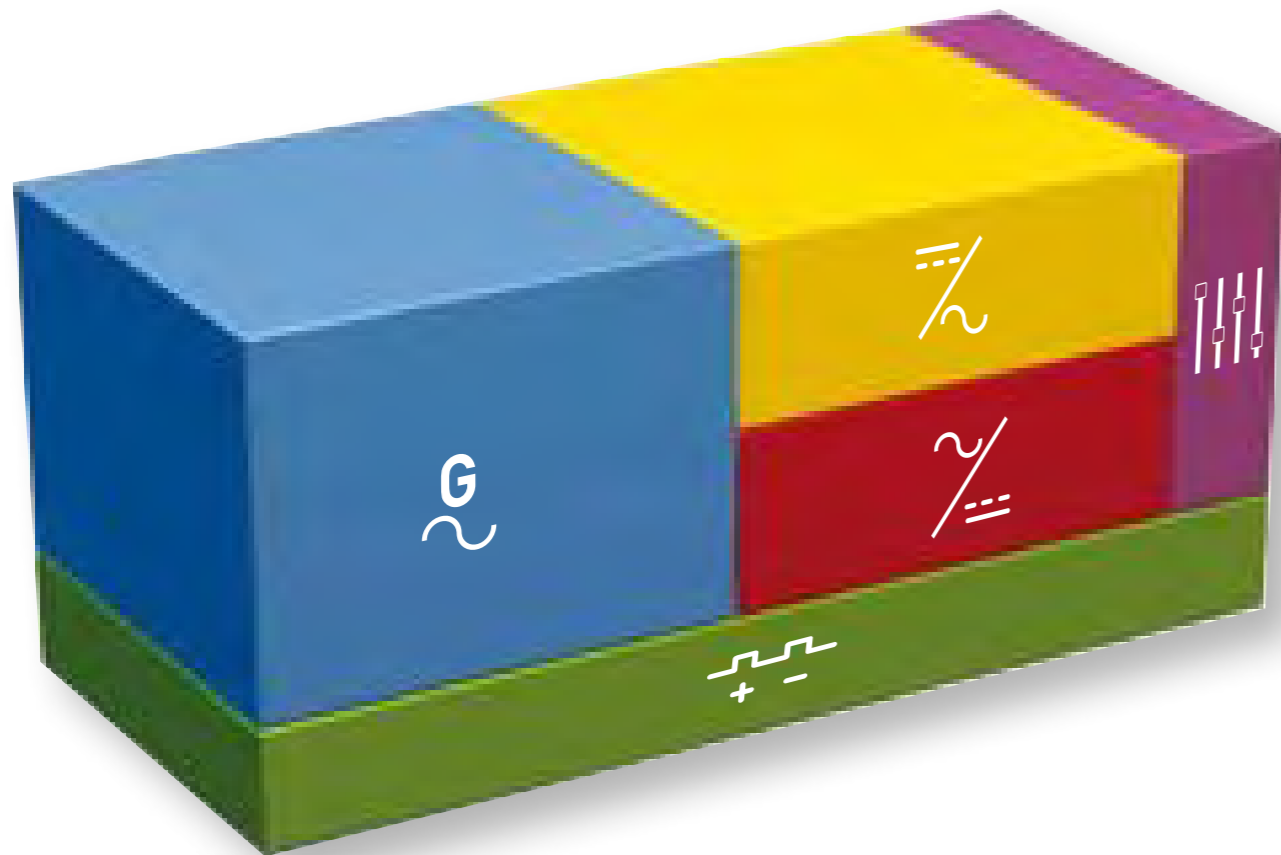
A well performing power system is an absolute must on commercial boats as well as on pleasure yachts. WhisperPower delivers the power with generator systems for all demands. Airco and heating, winches and commercial equipment, sensitive electronics and all that is needed for comfort. You are welcome to see for yourself, a complete installation has been fitted onboard the INDEPENDENCE, WhisperPower's test and demo motor yacht.



smart energy solutions

# Concept explained

## All-in-one



### HYBRID GENERATOR SYSTEM - GENVERTER SERIES

The WhisperPower M/W-GV 7i has been designed to combine the following power system functions in one box: a diesel generator with Permanent Magnet fly wheel alternator, a sine wave inverter, a switch-mode high efficiency 3-stage battery charger, a land power connection and an AC power distribution device. At low power demand the M/W-GV 7i will switch to the 2 kW (12 VDC) or 3.5 kW (24/48VDC) sine wave inverter (silent mode) and the diesel engine will be switched off. The unit has 12, 24 or 48 V DC charging capabilities for the main service bank. The inverter operates bi-directionally and will charge the battery in case land power is available. At higher power demand the diesel generator will start automatically to re-charge the service battery and provide AC power to the various appliances. The diesel engine will rotate faster when more energy is required (max speed 3400 RPM) offering a maximum power of 3.8 kW + 2 to 3.5 kW provided by the battery and switches off when the battery is fully charged and switches back to a low 2400 rpm when the demand is low. The system operates with any battery: wet lead-acid, AGM, GEL and, later on, Lithium-ION.



#### BUILDING BLOCKS OF THE GV SYSTEM

- 1 cylinder liquid cooled diesel engine with integrated permanent magnet fly wheel alternator.



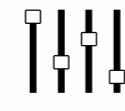
- 230 V Sine Wave inverter supplies 2 to 3.5 kVA AC power at silent mode (12 kVA peak) and 3.8 kVA at generator mode.



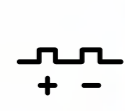
- 3-stage switch-mode battery charger to charge the 12/24/48 V DC service bank.



- Transfer switch utility/land power - inverter - consumers.



- Option: Battery to be mounted below the GV 7i.



# M-GV 4 Basic Genverter

Variable speed generator



M-GV 4 Basic, service side



DDC control panel 'Digital Diesel Control', supplied as standard with all sets

## Art. no.

41002005 M-GV 4 Basic 230 V / 3.8 kVA

### AC SYSTEM SPECIFICATIONS

System output continuous	3.8 kW at max rpm
Max output power	36 A
Output voltage / frequency	230 V / 50 Hz <sup>1)</sup>
Harmonic distortion	< 5%
Parallel operation	max. 2 units

### ALTERNATOR SPECIFICATIONS

Type	Permanent Magnet Alternator (PM)
RPM range	2500-3400 rpm
Efficiency	94%

### ENGINE SPECIFICATIONS

Engine	WhisperPower
Number of cylinders	1
Capacity	300 cc
Engine cooling	indirect watercooling
Fuel consumption (no load - full load)	0.8 - 1.5 l/hr
Starting	electrical - 12 Volt
Starter battery	12 V / 55 Ah (optional)
12 V Batterycharger	included

### REMOTE CONTROL FOR GENVERTER BASIC

40209102 DDC panel: Digital Diesel Control, standard for every Whisper generator standard  
See page 73 for optional displays, controls and pc-link

### ACCESSORIES FOR M-GV 4 BASIC, M-GV 4DC AND M-GV 7i

40230201	Water inlet kit 12.5 mm (1/2")	wet exhaust
40230272	Syphon breaker kit 12.5 mm (1/2")	wet exhaust
40230251	DELTA Exhaust kit 40 mm (1 5/8")	wet exhaust
40230261	DELTA Water-gas separ. kit 40 mm (1 5/8")	wet exhaust

<sup>1)</sup> 120 V / 60 Hz optional, available late 2011

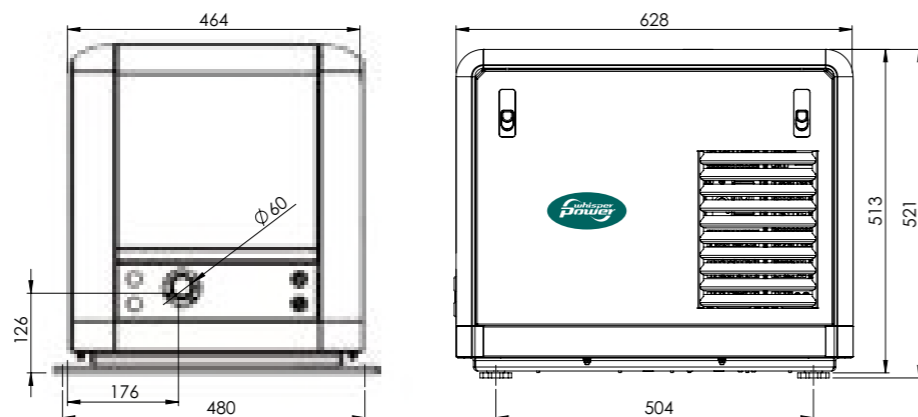


**NEW**  
See page 42 for our Belt Power Belt driven generator (3.5 & 5 kW)

### DIMENSIONS & WEIGHT

Length:	630 mm
Width:	480 mm
Height:	520 mm
Dry weight:	92 kg
Dry exhaust pipe:	Ø 1 5/8 inch BSP thread

### INSTALLATION DRAWING M-GV 4 BASIC



# M-GV 4DC Genverter

DC generator / Battery charger



DC Generator / Battery charger



DDC control panel 'Digital Diesel Control', supplied as standard with all sets

## Art. no.

41003005 M-GV 4DC

### DC SYSTEM SPECIFICATIONS

Input voltage (grid)	90 - 260 VAC
Input frequency (grid)	47 - 63 Hz
Battery voltage, nominal	24 VDC or 48 VDC
Battery charging current	150 A at 24 VDC or 75 A / 48 VDC
Charge characteristic	3-step, IUoUo, temp. compensated

### ALTERNATOR SPECIFICATIONS

Type	Permanent Magnet Alternator (PM)
Continuous rated power 3000 rpm	3.3 kW
Efficiency	94%
RPM	variable speed or fixed

### ENGINE SPECIFICATIONS

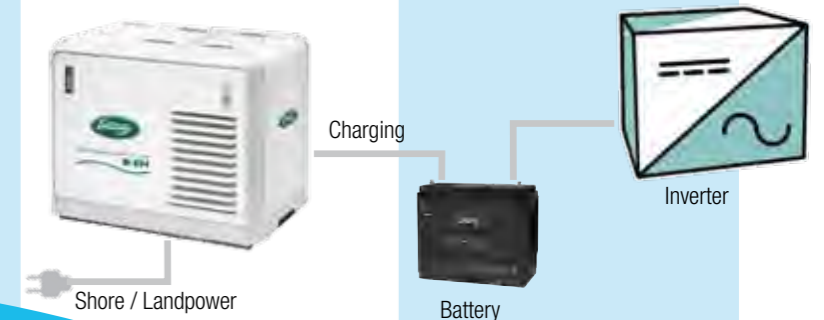
Engine	WhisperPower
Cylinder	1
Capacity	300 cc
Engine cooling	indirect watercooling
Fuel consumption (no load - full load)	0.8 - 1.5 l/hr
Starting	electrical
Starter battery	12 V / 55 Ah (optional)
12 V Batterycharger	included

### REMOTE CONTROL FOR GENVERTER 4DC GENERATOR

40209102 DDC panel: Digital Diesel Control, standard for every Whisper generator standard

### FOR ACCESSORIES SEE M-GV 4 BASIC (PAGE 10)

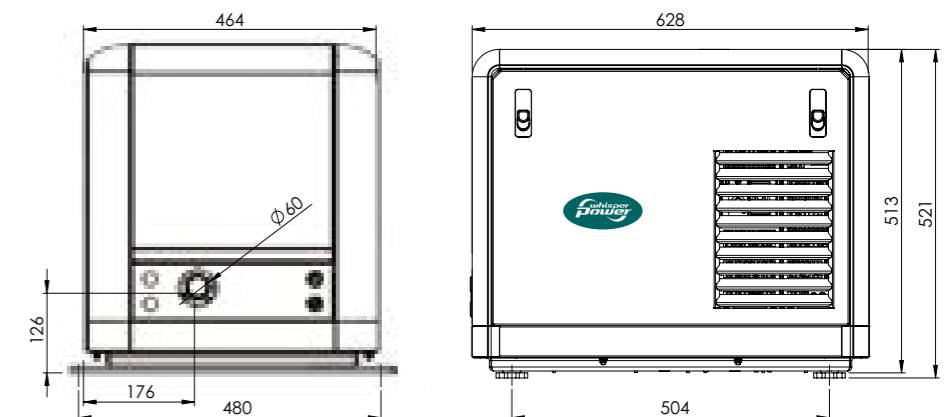
### EXAMPLE OF USE: GENVERTER M-GV 4DC



### DIMENSIONS & WEIGHT

Length:	630 mm
Width:	480 mm
Height:	520 mm
Dry weight:	80 kg
Dry exhaust pipe:	Ø 1 5/8 inch BSP thread

### INSTALLATION DRAWING M-GV 4DC



smart energy solutions



smart energy solutions

# M-GV 7i Genverter

Hybrid generator  
variable speed



M-GV 7i  
Generator



Genverter M-GV 7i  
Genverter Power Centre  
(inverter/battery Charger)



Genverter M-GV 7i  
Monitoring & Control  
panel: Generator Control  
(DDC), Extended Inverter /  
Charger Control + Ah  
Counting.

## Art. no.

41004205	M-GV 7i 230 V / 3.8 kVA + 2.0 kVA 12 VDC Combi, wet exhaust <sup>1)</sup>
41004405	M-GV 7i 230 V / 3.8 kVA + 3.5 kVA 24 VDC Combi, wet exhaust <sup>1)</sup>
41004805	M-GV 7i 230 V / 3.8 kVA + 3.5 kVA 48 VDC Combi, wet exhaust <sup>1)</sup>

Variable speed	2400-3400 rpm
Combined system output	7 kW / 24/48 VDC, 5.8 kW / 12 V models
Generator power (running engine)	3.8 kW
Silent power (inverter mode)	2.0 kVA / 12 V, 3.5 kVA 24/48 VDC

## INVERTER / GENERATOR SPECIFICATIONS

Peak output AC	60.0 A
Nominal voltage AC	230 Vac
Nominal current AC (combined)	30.0 A
Nominal frequency AC	50.0 Hz
Thd nominal operation AC	<5%
Leading or lagging power factor	0,1 - 1
Parallel use (multiple systems)	Not possible
Capacity (starter) battery (AGM)	12 V 55 Ah
Starter battery charge current	10 A maintenance charger

## BATTERY CHARGER SPECIFICATIONS

Charge current	12V model 100A, 24V model 90A, 48V model 50A
Charge characteristic	3-step, IUoUo
AC Shorepower	190 - 260 Vac
Temperature sensor	Yes

## MECHANICAL SPECIFICATIONS

Cooling	indirect watercooling
Max. Operation angle (in all directions)	25°
Temperature range operational	-20°C to 60°C
Relative humidity	Max. 95% relative humidity, none condensing
Remote control	Genverter 7i Control

## DIESEL ENGINE

Engine model	Whisper WP1
Number of cylinders	1
Cylinder capacity	300 cc
Air consumption	0.42 m <sup>3</sup> /min @3000rpm
Engine cooling	indirect watercooling
Fuel consumption (no load-full load)	0.8-1.5 ltrs/hrs

## FOR ACCESSORIES SEE M-GV 4 BASIC (PAGE 10)

<sup>1)</sup> Delivered with separate Combi inverter / charger cabinet  
HxWxD 500 x 316 x 360 mm Weight appr. 20 Kg.

## DIMENSIONS & WEIGHT

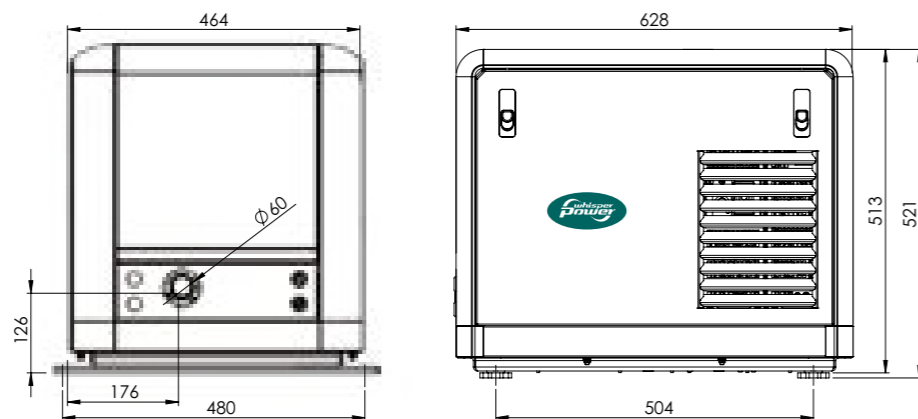
Generator	Combi - enclosure
Length: 630 mm	500 mm
Width: 480 mm	360 mm
Height: 520 mm	300 mm
Dry weight: 92 kg	25 kg

Dry exhaust pipe: Ø 1 5/8 inch BSP inner thread



smart energy solutions

## INSTALLATION DRAWING M-GV 7i



# The Perfect Power System



## ALL-IN-ONE

- 3.8 kW diesel generator connected to a 2.0 / 3.5 kW sine wave inverter
- Built-in charger for 12, 24 or 48 VDC batteries
- Extended power system panel
- Land power connection
- Variable speed 2500 – 3400 rpm
- Fully automatic operation
- Silent, liquid cooled diesel engine
- AGM or GEL batteries



# GV 7i Genverter

# M-SC 3.5 Diesel generator

## 3.000 RPM Super Compact series



DDC control panel 'Digital Diesel Control', supplied as standard with all sets

### Art. no.

40900600	M-SC 3.5 230 V / 50 Hz MARINE	wet exhaust
41200500	M-SC 3.5 230 V / 50 Hz MARINE/MB	wet exhaust

### MAIN SPECIFICATIONS

Nominal power <sup>2)</sup>	3 kW at 3.000 RPM
Nominal voltage <sup>3)</sup>	230 V - 13 A
Output frequency	50 Hz
Power factor / cos phi	1
Voltage tolerance	± 7%
Frequency tolerance (Hz)	± 5%
Voltage regulation	capacitor
Starter battery	12 V (Optional)
Battery charge current	auxiliary winding 4 A
Alternator	water-cooled, no brushes, synchronous
Sound level <sup>4)</sup>	58 dBA

### SPECIFICATIONS DIESEL ENGINE

Engine model	OC60
Number of cylinders	1
Cylinder capacity	276 cc
Bore & stroke	72 x 68 mm
Air consumption	0.38 m <sup>3</sup> /min
Engine cooling	oil-cooled
Fuel consumption (no load - full load)	0.7-1.2 l/hour

### REMOTE CONTROL FOR WHISPER GENERATOR

40209102	DDC panel: Digital Diesel Control, standard for every Whisper generator	standard
40209102	Additional 2nd panel: DDC panel/slave version for second start/stop location	plus price

See page 73 for optional displays, controls and pc-link

### ACCESSORIES & OPTIONS

40900606	M-SC 3.5 230 V / 50 Hz MARINE	ungrounded, wet exhaust
40900655	M-SC 3.5 120 V / 60 Hz MARINE	USA version, wet exhaust
40230201	Water inlet kit 12.5 mm (1/2")	wet exhaust
40230272	Syphon breaker kit 12.5 mm (1/2")	wet exhaust
40230251	DELTA Exhaust kit 40 mm (1 5/8")	wet exhaust
40230261	DELTA Water-gas separ. kit 40 mm (1 5/8")	wet exhaust
40230207	Base plate kit M-SC 3.5	
40230217	Anti-vibration mounts, up to 280 kg	

<sup>2)</sup> peak power 200%    <sup>3)</sup> 120 V-240 V / 50 or 60 Hz available as well    <sup>4)</sup> at 7 mtrs

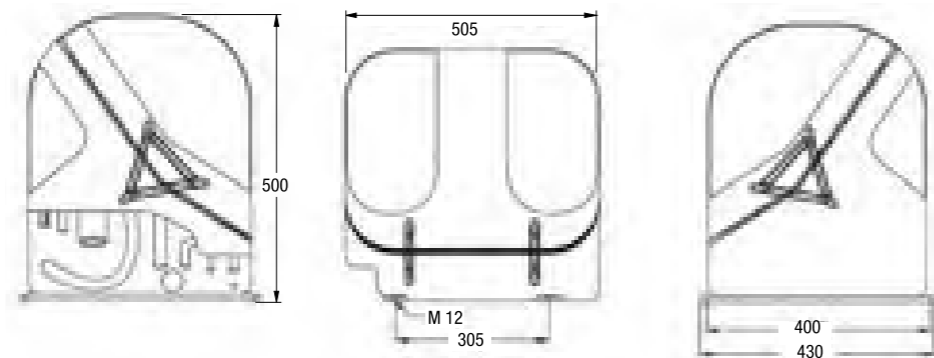
### DIMENSIONS & WEIGHT

Length:	505 mm
Width:	400 mm
Height:	500 mm
Dry weight:	97 kg
Dry exhaust pipe:	Ø 1 inch BSP
Wet exhaust:	Ø 40 mm
Location oil refill cap:	top & side
Max. operating angle:	25° in all directions



smart energy solutions

### INSTALLATION DRAWING M-SC 3.5



# M-SC 6 Diesel generator

## 3.000 RPM Super Compact series



M-SC 6 in metal sound shield



M-SC 6P in polyester sound shield

### Art. no.

41102005	M-SC 6 230 V / 50 Hz MARINE	wet exhaust
40902005	M-SC 6 230 V / 50 Hz MARINE P	wet exhaust

### MAIN SPECIFICATIONS

Nominal power <sup>2)</sup>	5 kW at 3.000 RPM
Nominal voltage <sup>3)</sup>	230 V - 22 A
Output frequency	50 Hz
Power factor / cos phi	1
Voltage tolerance	± 5%
Frequency tolerance (Hz)	± 5%
Voltage regulation	capacitor
Starter battery	12 V (Optional)
Battery charge current	alternator 40 A
Alternator	water-cooled, no brushes, synchronous
Sound level <sup>4)</sup>	56 dBA

### SPECIFICATIONS DIESEL ENGINE

Engine model	L2E
Number of cylinders	2
Cylinder capacity	635 cc
Bore & stroke	2 x 76 x 70 mm
Air consumption	0.95 m <sup>3</sup> /min
Engine cooling	indirect watercooling
Fuel consumption (no load - full load)	1-2.5 l/hour

### REMOTE CONTROL FOR WHISPER GENERATOR

40209102	DDC panel: Digital Diesel Control, standard for every Whisper generator	standard
40209102	Additional 2nd panel: DDC panel/slave version for second start/stop location	plus price

See page 73 for optional displays, controls and pc-link

### ACCESSORIES & OPTIONS

41102006	M-SC 6 230 V / 50 Hz MARINE	ungrounded, wet exhaust
41102030	M-SC 6 230 V / 50 Hz MARINE	keelcooling, dry exhaust
41102055	M-SC 6 120/240 V / 60 Hz MARINE	USA version, wet exhaust
40230211	Water inlet kit 20 mm (3/4")	wet exhaust
40230273	Syphon breaker kit 20 mm (3/4")	wet exhaust
40230251	DELTA Exhaust kit 40 mm (1 5/8")	wet exhaust
40230261	DELTA Water-gas separ. kit 40 mm (1 5/8")	wet exhaust
40230209	Base plate kit M-SC 6P	only for polyester version
40230217	Anti-vibration mounts, up to 280 kg	only for polyester version
40201303	Boxcooler kit	keelcooling, dry exhaust
40201320	Dry exhaust kit 1"	keelcooling, dry exhaust

<sup>2)</sup> peak power 200%    <sup>3)</sup> 120 V-240 V / 50 or 60 Hz available as well    <sup>4)</sup> at 7 mtrs

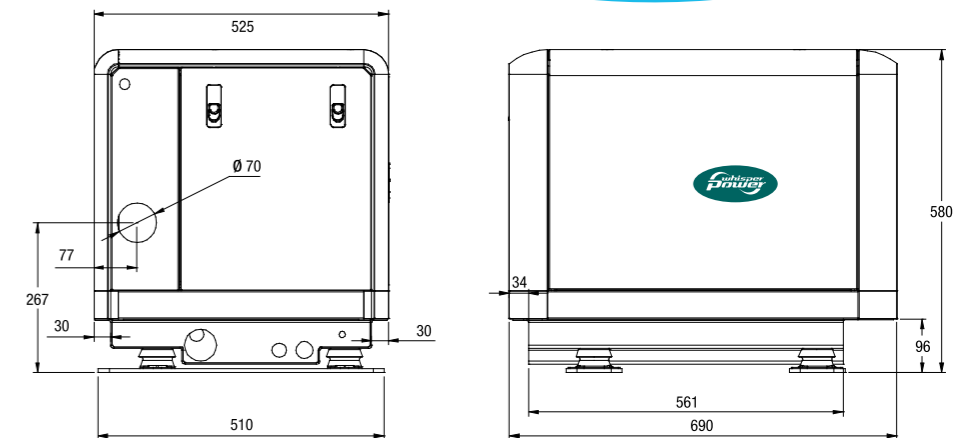
### DIMENSIONS & WEIGHT

	M-SC 6	M-SC 6P
Length:	690 mm	660 mm
Width:	525 mm	495 mm
Height:	580 mm	550 mm
Dry weight:	184 kg	178 kg
Dry exhaust pipe:	Ø 1 inch BSP	
Wet exhaust:	Ø 40 mm	
Location oil refill cap:	top & side	
Max. operating angle:	25° in all directions	



smart energy solutions

### INSTALLATION DRAWING M-SC 6





# M-SC 8 Diesel generator 3.000 RPM Super Compact series



M-SC 8 in metal sound shield



M-SC 8P in polyester sound shield

## Art. no.

41103005 M-SC 8 230 V / 50 Hz MARINE  
40903005 M-SC 8 230 V / 50 Hz MARINE P

## MAIN SPECIFICATIONS

Nominal power <sup>2)</sup>	6,4 kW at 3.000 RPM
Nominal voltage <sup>3)</sup>	230 V - 28 A
Output frequency	50 Hz
Power factor / cos phi	1
Voltage tolerance <sup>4)</sup>	± 5%
Frequency tolerance (Hz) <sup>4)</sup>	± 1%
Voltage regulation	capacitor
Starter battery	12 V (Optional)
Battery charge current	alternator 40 A
Alternator	water-cooled, no brushes, synchronous
Sound level <sup>5)</sup>	56 dBA

## SPECIFICATIONS DIESEL ENGINE

Engine model	L2E
Number of cylinders	2
Cylinder capacity	635 cc
Bore & stroke	2 x 76 x 70 mm
Air consumption	0.95 m <sup>3</sup> /min
Engine cooling	indirect watercooling
Fuel consumption (no load - full load)	1-2.5 l/hour

## REMOTE CONTROL FOR WHISPER GENERATOR

40209102	DDC panel: Digital Diesel Control, standard for every Whisper generator	standard
40209102	Additional 2nd panel: DDC panel/slave version for second start/stop location	
	See page 73 for optional displays, controls and pc-link	

## ACCESSORIES & OPTIONS

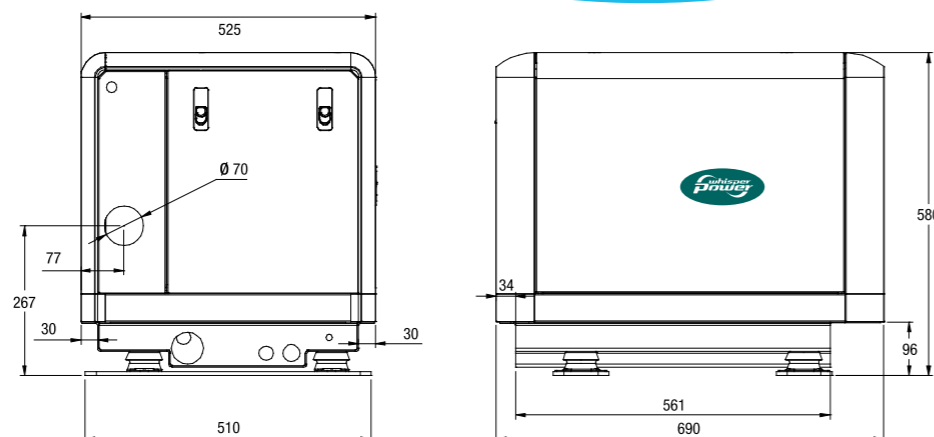
41103006	M-SC 8 230 V / 50 Hz MARINE	ungrounded, wet exhaust
41103055	M-SC 8 120/240 V / 60 Hz MARINE	USA version, wet exhaust
40230211	Water inlet kit 20 mm (3/4")	wet exhaust
40230273	Syphon breaker kit 20 mm (3/4")	wet exhaust
40230251	DELTA Exhaust kit 40 mm (1 5/8")	wet exhaust
40230261	DELTA Water-gas separ. kit 40 mm (1 5/8")	wet exhaust
40230209	Base plate kit M-SC 8P	only for polyester version
40230217	Anti-vibration mounts, up to 280 kg	only for polyester version
40201303	Boxcooler kit	keelcooling, dry exhaust
40201320	Dry exhaust kit 1"	keelcooling, dry exhaust

<sup>2)</sup> peak power 200% <sup>3)</sup> 120 V-240 V / 50 or 60 Hz available as well <sup>4)</sup> controlled by electronic governor <sup>5)</sup> at 7 mtrs

## DIMENSIONS & WEIGHT

	M-SC 8	M-SC 8P
Length:	690 mm	660 mm
Width:	525 mm	495 mm
Height:	580 mm	550 mm
Dry weight:	184 kg	178 kg
Dry exhaust pipe:	Ø 1 inch BSP	
Wet exhaust:	Ø 40 mm	
Location oil refill cap:	top & side	
Max. operating angle:	25° in all directions	

## INSTALLATION DRAWING M-SC 8



# M-SC 10 Diesel generator 3.000 RPM Super Compact series



M-SC 10 in metal sound shield



M-SC 10P in polyester sound shield

## Art. no.

41104005 M-SC 10 230 V / 50 Hz MARINE  
40904005 M-SC 10 230 V / 50 Hz MARINE P

## MAIN SPECIFICATIONS

Nominal power <sup>2)</sup>	9,4 kW at 3.000 RPM
Nominal voltage <sup>3)</sup>	230 V - 40 A
Output frequency <sup>3)</sup>	50 Hz
Power factor / cos phi	1
Voltage tolerance <sup>4)</sup>	± 5%
Frequency tolerance (Hz) <sup>4)</sup>	± 1%
Voltage regulation	capacitor
Starter battery	12 V (Optional)
Battery charge current	alternator 40 A
Alternator	water-cooled, no brushes, synchronous
Sound level <sup>5)</sup>	58 dBA

## SPECIFICATIONS DIESEL ENGINE

Engine model	L3E
Number of cylinders	3
Cylinder capacity	952 cc
Bore & stroke	3 x 76 x 70 mm
Air consumption	1.43 m <sup>3</sup> /min
Engine cooling	indirect watercooling
Fuel consumption (no load - full load)	1-4 l/hour

## REMOTE CONTROL FOR WHISPER GENERATOR

40209102	DDC panel: Digital Diesel Control, standard for every Whisper generator	standard
40209102	Additional 2nd panel: DDC panel/slave version for second start/stop location	
	See page 73 for optional displays, controls and pc-link	

## ACCESSORIES & OPTIONS

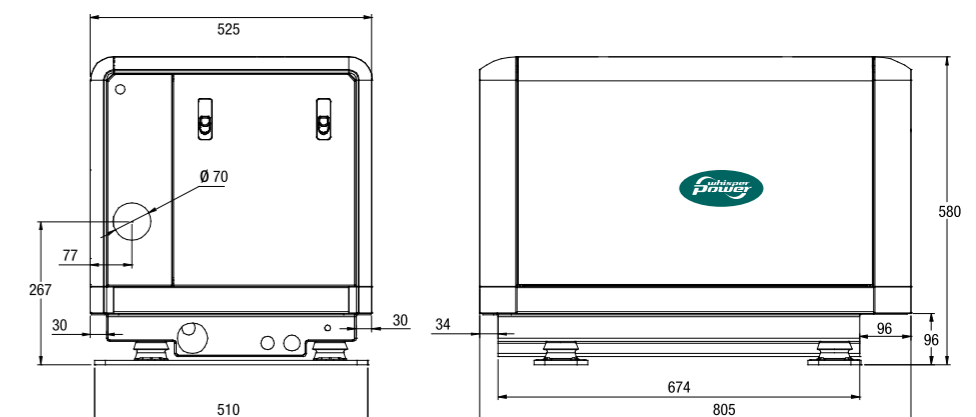
41104006	M-SC 10 230 V / 50 Hz MARINE	ungrounded, wet exhaust
41104055	M-SC 11 120/240 V / 60 Hz MARINE	USA version, wet exhaust
40230211	Water inlet kit 20 mm (3/4")	wet exhaust
40230273	Syphon breaker kit 20 mm (3/4")	wet exhaust
40230251	DELTA Exhaust kit 40 mm (1 5/8")	wet exhaust
40230261	DELTA Water-gas separ. kit 40 mm (1 5/8")	wet exhaust
40201303	Boxcooler kit	keelcooling, dry exhaust
40201875	Dry exhaust kit 1 1/2"	keelcooling, dry exhaust

<sup>2)</sup> peak power 200% <sup>3)</sup> 120 V-240 V / 50 or 60 Hz available as well <sup>4)</sup> controlled by electronic governor <sup>5)</sup> at 7 mtrs

## DIMENSIONS & WEIGHT

	M-SC 10	M-SC 10P
Length:	805 mm	810 mm
Width:	525 mm	525 mm
Height:	580 mm	615 mm
Dry weight:	215 kg	210 kg
Dry exhaust pipe:	Ø 1.5 inch BSP	
Wet exhaust:	Ø 40 mm	
Location oil refill cap:	top & side	
Max. operating angle:	25° in all directions	

## INSTALLATION DRAWING M-SC 10



smart energy solutions



smart energy solutions

# M-SQ 6 Diesel generator 1.500 RPM Super Quiet series



DDC control panel 'Digital Diesel Control', supplied as standard with all sets

## Art. no.

41105005 M-SQ 6 230 V / 50 Hz MARINE

wet exhaust

### MAIN SPECIFICATIONS

Nominal power <sup>2)</sup>	5,7 kW at 1.500 RPM
Nominal voltage <sup>3)</sup>	230 V - 25 A
Output frequency	50 Hz
Power factor / cos phi	1
Voltage tolerance <sup>4)</sup>	± 5%
Frequency tolerance (Hz) <sup>4)</sup>	± 1%
Voltage regulation	capacitor
Starter battery	12 V (Optional)
Battery charge current	alternator 40 A
Alternator	water-cooled, no brushes, synchronous
Sound level <sup>5)</sup>	51 dBA

### SPECIFICATIONS DIESEL ENGINE

Engine model	L3E
Number of cylinders	3
Cylinder capacity	952 cc
Bore & stroke	3 x 76 x 70 mm
Air consumption	0.8 m <sup>3</sup> /min
Engine cooling	indirect watercooling
Fuel consumption (no load - full load)	1-3 l/hour

### REMOTE CONTROL FOR WHISPER GENERATOR

40209102	DDC panel: Digital Diesel Control, standard for every Whisper generator	standard
40209102	Additional 2nd panel: DDC panel/slave version for second start/stop location	
	See page 73 for optional displays, controls and pc-link	

### ACCESSORIES & OPTIONS

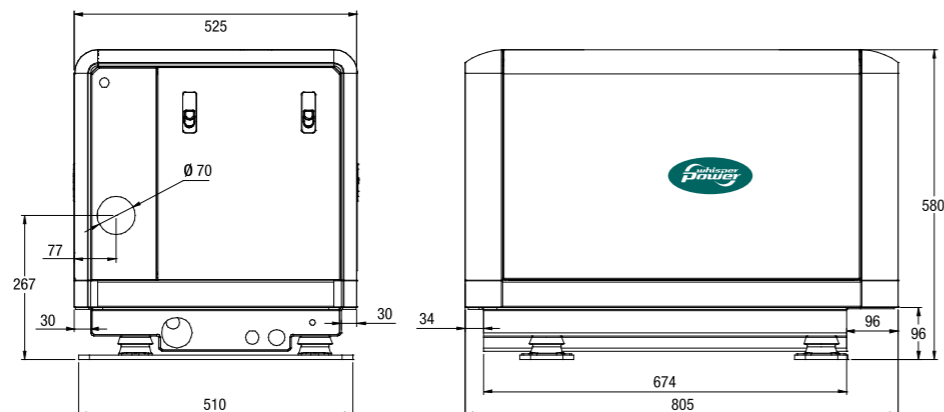
41105006	M-SQ 6 230 V / 50 Hz MARINE	ungrounded, wet exhaust
41105030	M-SQ 6 230 V / 50 Hz MARINE	keelcooling, dry exhaust
41105055	M-SQ 6 120/240 V / 60 Hz MARINE	USA version, wet exhaust
40230211	Water inlet kit 20 mm (3/4")	wet exhaust
40230273	Syphon breaker kit 20 mm (3/4")	wet exhaust
40230251	DELTA Exhaust kit 40 mm (1 5/8")	wet exhaust
40230261	DELTA Water-gas separ. kit 40 mm (1 5/8")	wet exhaust
40201303	Boxcooler kit	keelcooling, dry exhaust
40201875	Dry exhaust kit 1 1/2"	keelcooling, dry exhaust

<sup>2)</sup> peak power 200% <sup>3)</sup> 120 V-240 V / 50 or 60 Hz available as well <sup>4)</sup> controlled by electronic governor <sup>5)</sup> at 7 mtrs

### DIMENSIONS & WEIGHT

Length:	805 mm
Width:	525 mm
Height:	580 mm
Dry weight:	240 kg
Dry exhaust pipe:	Ø 1.5 inch BSP
Wet exhaust:	Ø 40 mm
Location oil refill cap:	top & side
Max. operating angle:	25° in all directions

### INSTALLATION DRAWING M-SQ 6



smart energy solutions

# M-SQ 8 Diesel generator 1.500 RPM Super Quiet series



DDC control panel 'Digital Diesel Control', supplied as standard with all sets

## Art. no.

41106005 M-SQ 8 230 V / 50 Hz MARINE

wet exhaust

### MAIN SPECIFICATIONS

Nominal power <sup>2)</sup>	8 kW at 1.500 RPM
Nominal voltage <sup>3)</sup>	230 V - 35 A
Output frequency	50 Hz
Power factor / cos phi	1
Voltage tolerance	± 5%
Frequency tolerance (Hz)	± 5%
Voltage regulation	capacitor
Starter battery	12 V (Optional)
Battery charge current	alternator 50 A
Alternator	water-cooled, no brushes, synchronous
Sound level <sup>4)</sup>	54 dBA

### SPECIFICATIONS DIESEL ENGINE

Engine model	S3L2
Number of cylinders	3
Cylinder capacity	1318 cc
Bore & stroke	3 x 78 x 92 mm
Air consumption	1.1 m <sup>3</sup> /min
Engine cooling	indirect watercooling
Fuel consumption (no load - full load)	1-3 l/hour

### REMOTE CONTROL FOR WHISPER GENERATOR

40209102	DDC panel: Digital Diesel Control, standard for every Whisper generator	standard
40209102	Additional 2nd panel: DDC panel/slave version for second start/stop location	
	See page 73 for optional displays, controls and pc-link	

### ACCESSORIES & OPTIONS

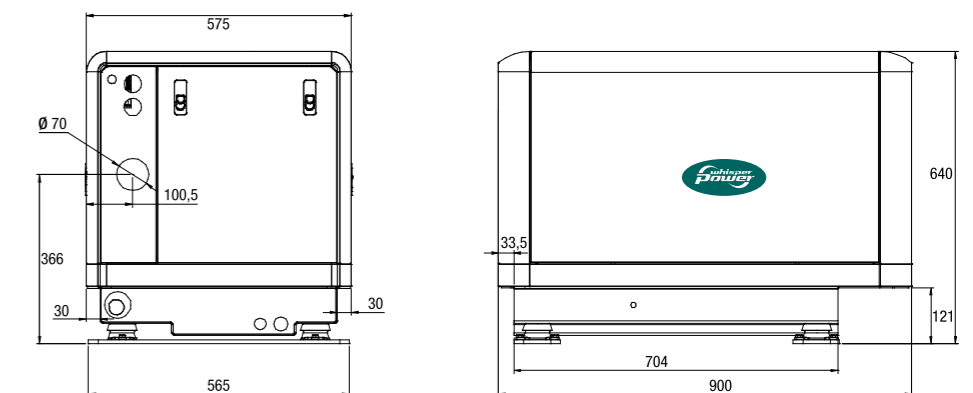
41106006	M-SQ 8 230 V / 50 Hz MARINE	ungrounded, wet exhaust
41106030	M-SQ 8 230 V / 50 Hz MARINE	keelcooling, dry exhaust
41106055	M-SQ 9.5 120/240 V 60 Hz MARINE	USA version, wet exhaust
40230211	Water inlet kit 20 mm (3/4")	wet exhaust
40230273	Syphon breaker kit 20 mm (3/4")	wet exhaust
40230252	DELTA Exhaust kit 51 mm (2")	wet exhaust
40230262	DELTA Water-gas separ. kit 51 mm (2")	wet exhaust
40201873	Boxcooler kit	keelcooling, dry exhaust
40201875	Dry exhaust kit 1 1/2"	keelcooling, dry exhaust

<sup>2)</sup> peak power 200% <sup>3)</sup> 120 V-240 V / 50 or 60 Hz available as well <sup>4)</sup> at 7 mtrs

### DIMENSIONS & WEIGHT

Length:	900 mm
Width:	575 mm
Height:	640 mm
Dry weight:	334 kg
Dry exhaust pipe:	Ø 1.5 inch BSP
Wet exhaust:	Ø 51 mm
Location oil refill cap:	top & side
Max. operating angle:	25° in all directions

### INSTALLATION DRAWING M-SQ 8



smart energy solutions

# M-SQ 10 Diesel generator 1.500 RPM Super Quiet series



DDC control panel 'Digital Diesel Control', supplied as standard with all sets

## Art. no.

41109005 M-SQ 10 230 V / 50 Hz MARINE

### MAIN SPECIFICATIONS

Nominal power <sup>2)</sup>	9,4 kW at 1.500 RPM
Nominal voltage <sup>3)</sup>	230 V - 40 A
Output frequency	50 Hz
Power factor / cos phi	1
Voltage tolerance <sup>4)</sup>	± 5%
Frequency tolerance (Hz) <sup>4)</sup>	± 1%
Voltage regulation	capacitor
Starter battery	12 V (Optional)
Battery charge current	alternator 50 A
Alternator	water-cooled, no brushes, synchronous
Sound level <sup>5)</sup>	54 dBA

### SPECIFICATIONS DIESEL ENGINE

Engine model	S3L2
Number of cylinders	3
Cylinder capacity	1318 cc
Bore & stroke	3 x 78 x 92 mm
Air consumption	1.1 m <sup>3</sup> /min
Engine cooling	indirect watercooling
Fuel consumption (no load - full load)	1-3 l/hour

### REMOTE CONTROL FOR WHISPER GENERATOR

40209102	DDC panel: Digital Diesel Control, standard for every Whisper generator	standard
40209102	Additional 2nd panel: DDC panel/slave version for second start/stop location	
	See page 73 for optional displays, controls and pc-link	

### ACCESSORIES & OPTIONS

41109006	M-SQ 10 230 V / 50 Hz MARINE	ungrounded, wet exhaust
41109030	M-SQ 10 230 V / 50 Hz MARINE	keelcooling, dry exhaust
41109055	M-SQ 11 120/240 V / 60 Hz MARINE	wet exhaust, USA version
40230211	Water inlet kit 20 mm (3/4")	wet exhaust
40230273	Syphon breaker kit 20 mm (3/4")	wet exhaust
40230252	DELTA Exhaust kit 51 mm (2")	wet exhaust
40230262	DELTA Water-gas separ. kit 51 mm (2")	wet exhaust
40201873	Boxcooler kit	keelcooling, dry exhaust
40201875	Dry exhaust kit 1 1/2"	keelcooling, dry exhaust

<sup>2)</sup> peak power 200% <sup>3)</sup> 120V-240 V / 50 or 60 Hz available as well <sup>4)</sup> controlled by electronic governor <sup>5)</sup> at 7 mtrs

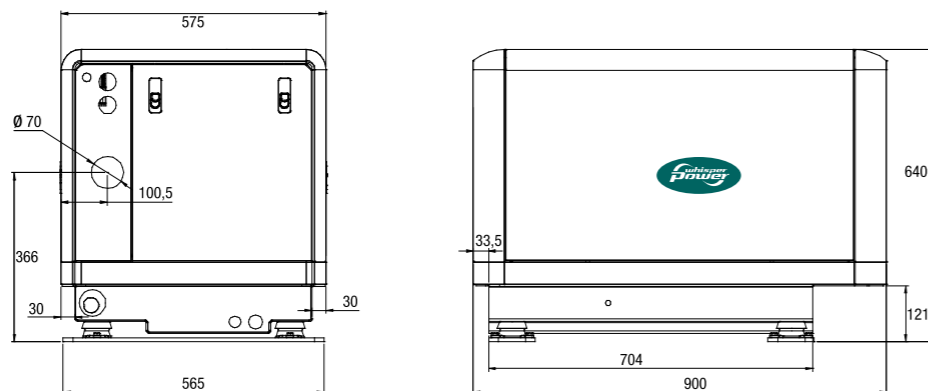
### DIMENSIONS & WEIGHT

Length:	900 mm
Width:	575 mm
Height:	640 mm
Dry weight:	334 kg
Dry exhaust pipe:	Ø 1.5 inch BSP
Wet exhaust:	Ø 51 mm
Location oil refill cap:	top & side
Max. operating angle:	25° in all directions



smart energy solutions

### INSTALLATION DRAWING M-SQ 10



# M-SQ 12 Diesel generator 1.500 RPM Super Quiet series



DDC control panel 'Digital Diesel Control', supplied as standard with all sets

## Art. no.

41107005 M-SQ 12 230 V / 50 Hz MARINE

### MAIN SPECIFICATIONS

Nominal power <sup>2)</sup>	12 kW at 1.500 RPM
Nominal voltage <sup>3)</sup>	230 V - 52 A / 3-phase optional
Output frequency	50 Hz
Power factor / cos phi	1
Voltage tolerance <sup>4)</sup>	± 5%
Frequency tolerance (Hz) <sup>4)</sup>	± 1%
Voltage regulation	capacitor
Starter battery	12 V (Optional)
Battery charge current	alternator 50 A
Alternator	water-cooled, no brushes, synchronous
Sound level <sup>5)</sup>	55 dBA

### SPECIFICATIONS DIESEL ENGINE

Engine model	S4L2
Number of cylinders	4
Cylinder capacity	1758 cc
Bore & stroke	4 x 78 x 92 mm
Air consumption	1.5 m <sup>3</sup> /min
Engine cooling	indirect watercooling
Fuel consumption (no load - full load)	1-4 l/hour

### REMOTE CONTROL FOR WHISPER GENERATOR

40209102	DDC panel: Digital Diesel Control, standard for every Whisper generator	standard
40209102	Additional 2nd panel: DDC panel/slave version for second start/stop location	
	See page 73 for optional displays, controls and pc-link	

### ACCESSORIES & OPTIONS

41107006	M-SQ 12 230 V / 50 Hz MARINE	ungrounded, wet exhaust
41107030	M-SQ 12 230 V / 50 Hz MARINE	keelcooling, dry exhaust
41107305	M-SQ 12 230/400 V / 50 Hz MARINE	wet exhaust, 3-phase
41107055	M-SQ 15 120/240 V / 60 Hz MARINE	dual voltage, USA version
41107355	M-SQ 15 120/208 V / 60 Hz MARINE	3-phase, USA version
40230211	Water inlet kit 20 mm (3/4")	wet exhaust
40230273	Syphon breaker kit 20 mm (3/4")	wet exhaust
40230252	DELTA Exhaust kit 51 mm (2")	wet exhaust
40230262	DELTA Water-gas separ. kit 51 mm (2")	wet exhaust
40201873	Boxcooler kit	keelcooling, dry exhaust
40201875	Dry exhaust kit 1 1/2"	keelcooling, dry exhaust

<sup>2)</sup> peak power 200% <sup>3)</sup> 120V-240 V / 50 or 60 Hz available as well <sup>4)</sup> controlled by electronic governor <sup>5)</sup> at 7 mtrs

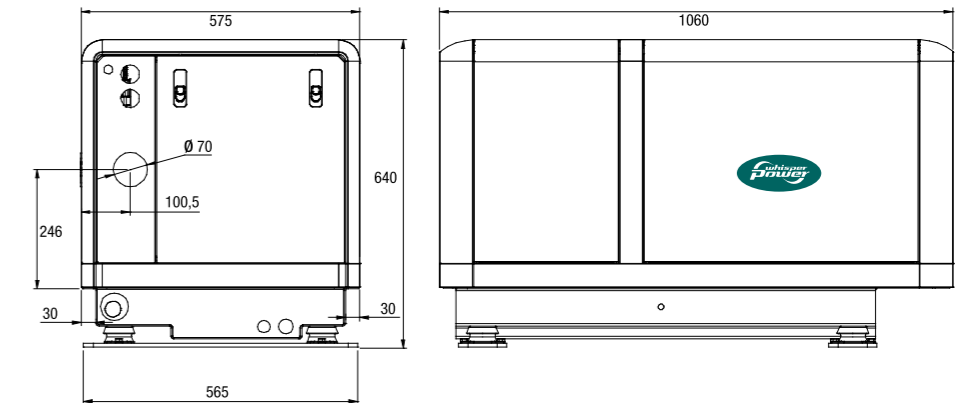
### DIMENSIONS & WEIGHT

Length:	1060 mm
Width:	575 mm
Height:	640 mm
Dry weight:	380 kg
Dry exhaust pipe:	Ø 1.5 inch BSP
Wet exhaust:	Ø 51 mm
Location oil refill cap:	top & side
Max. operating angle:	25° in all directions



smart energy solutions

### INSTALLATION DRAWING M-SQ 12



# M-SQ 16 Diesel generator 1.500 RPM Super Quiet series



DDC control panel 'Digital Diesel Control', supplied as standard with all sets

## Art. no.

41108005 M-SQ 16 230 V / 50 Hz MARINE

### MAIN SPECIFICATIONS

Nominal power <sup>2)</sup>	16 kW at 1.500 RPM
Nominal voltage <sup>3)</sup>	230 V - 70 A / 3-phase optional
Output frequency	50 Hz
Power factor / cos phi	1
Voltage tolerance	± 5%
Frequency tolerance (Hz)	± 3%
Voltage regulation	capacitor
Starter battery	12 V (Optional)
Battery charge current	alternator 50 A
Alternator	water-cooled, no brushes, synchronous
Sound level <sup>4)</sup>	56 dBA

### SPECIFICATIONS DIESEL ENGINE

Engine model	S4Q2
Number of cylinders	4
Cylinder capacity	2505 cc
Bore & stroke	4 x 88 x 103 mm
Air consumption	2.1 m <sup>3</sup> /min
Engine cooling	indirect watercooling
Fuel consumption (no load - full load)	1-5 l/hour

### REMOTE CONTROL FOR WHISPER GENERATOR

40209102	DDC panel: Digital Diesel Control, standard for every Whisper generator	standard
40209102	Additional 2nd panel: DDC panel/slave version for second start/stop location See page 73 for optional displays, controls and pc-link	

### ACCESSORIES & OPTIONS

41108006	M-SQ 16 230 V / 50 Hz MARINE	ungrounded, wet exhaust
41108030	M-SQ 16 230 V / 50 Hz MARINE	keelcooling, dry exhaust
41108305	M-SQ 16 230/400 V / 50 Hz MARINE	keelcooling, 3-phase
41108055	M-SQ 20 120/240 V / 60 Hz MARINE	dual voltage, USA version
41108355	M-SQ 20 120/208 V / 60 Hz MARINE	3-phase, USA version
40230221	Water inlet kit 25 mm (1")	wet exhaust
40230274	Syphon breaker kit 25 mm (1")	wet exhaust
40230252	DELTA Exhaust kit 51 mm (2")	wet exhaust
40230262	DELTA Water-gas separ. kit 51 mm (2")	wet exhaust
40201874	Boxcooler kit	keelcooling, dry exhaust
40201875	Dry exhaust kit 1 1/2"	keelcooling, dry exhaust

<sup>2)</sup> peak power 200%    <sup>3)</sup> 120 V-240 V / 50 or 60 Hz available as well    <sup>4)</sup> at 7 mtrs

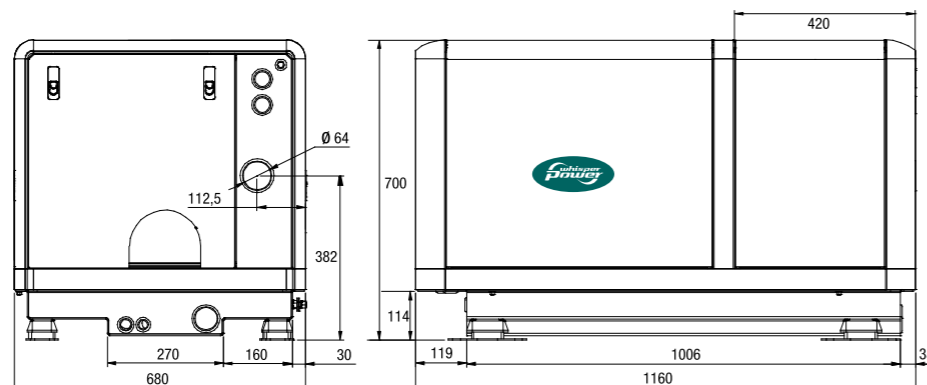
### DIMENSIONS & WEIGHT

Length:	1160 mm
Width:	680 mm
Height:	700 mm
Dry weight:	454 kg
Dry exhaust pipe:	Ø 1.5 inch BSP
Wet exhaust:	Ø 51 mm
Location oil refill cap:	top
Max. operating angle:	25° in all directions



smart energy solutions

### INSTALLATION DRAWING M-SQ 16



# M-SQ 20 Diesel generator 1.500 RPM Super Quiet series



DDC control panel 'Digital Diesel Control', supplied as standard with all sets

## Art. no.

41101205 M-SQ 20 230 V / 50 Hz MARINE

### MAIN SPECIFICATIONS

Nominal power <sup>2)</sup>	20 kW at 1.500 RPM
Nominal voltage <sup>3)</sup>	230 V - 87 A
Output frequency	50 Hz
Power factor / cos phi	1
Voltage tolerance	± 2%
Frequency tolerance (Hz)	± 3%
Voltage regulation	AVR
Starter battery	12 V (Optional)
Battery charge current	alternator 50 A
Alternator	air-cooled, no brushes, synchronous
Sound level <sup>4)</sup>	58 dBA

### SPECIFICATIONS DIESEL ENGINE

Engine model	S4S
Number of cylinders	4
Cylinder capacity	3331 cc
Bore & stroke	4 x 94 x 120 mm
Air consumption	2.8 m <sup>3</sup> /min
Engine cooling	indirect watercooling
Fuel consumption (no load - full load)	1-6 l/hour

### REMOTE CONTROL FOR WHISPER GENERATOR

40209102	DDC panel: Digital Diesel Control, standard for every Whisper generator	standard
40209102	Additional 2nd panel: DDC panel/slave version for second start/stop location See page 73 for optional displays, controls and pc-link	

### ACCESSORIES & OPTIONS

41101206	M-SQ 20 230 V / 50 Hz MARINE	ungrounded, wet exhaust
41101230	M-SQ 20 230 V / 50 Hz MARINE	keelcooling, dry exhaust
40230221	Water inlet kit 25 mm (1")	wet exhaust
40230274	Syphon breaker kit 25 mm (1")	wet exhaust
40230254	DELTA Exhaust kit 63 mm (2 1/2")	wet exhaust
40230264	DELTA Water-gas separ. kit 63 mm (2 1/2")	wet exhaust
40201894	Boxcooler kit	keelcooling, dry exhaust
40201889	Dry exhaust kit 2"	keelcooling, dry exhaust

<sup>2)</sup> peak power 200%    <sup>3)</sup> Unit can be configured to 120 V-208 V / 50 or 60 Hz, single / three phase    <sup>4)</sup> at 7 mtrs

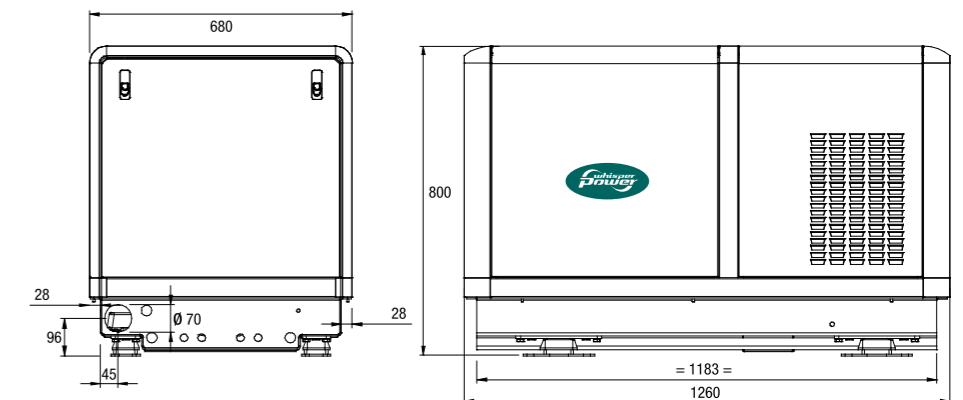
### DIMENSIONS & WEIGHT

Length:	1260 mm
Width:	680 mm
Height:	800 mm
Dry weight:	580 kg
Dry exhaust pipe:	Ø 2 inch BSP
Wet exhaust:	Ø 63 mm
Location oil refill cap:	top
Max. operating angle:	25° in all directions



smart energy solutions

### INSTALLATION DRAWING M-SQ 20



# M-SQ 25 Diesel generator

## 1.500 RPM Super Quiet series



DDC control panel 'Digital Diesel Control', supplied as standard with all sets

### Art. no.

41101005 M-SQ 25 230 V / 50 Hz MARINE

### MAIN SPECIFICATIONS

Nominal power <sup>2)</sup>	25 kW at 1.500 RPM
Nominal voltage <sup>3)</sup>	230 V - 108 A
Output frequency	50 Hz
Power factor / cos phi	1
Voltage tolerance	± 2%
Frequency tolerance (Hz)	± 3%
Voltage regulation	AVR
Starter battery	12 V
Battery charge current	alternator 50 A
Alternator	air-cooled, no brushes, synchronous
Sound level <sup>4)</sup>	58 dBA

### SPECIFICATIONS DIESEL ENGINE

Engine model	S4S
Number of cylinders	4
Cylinder capacity	3331 cc
Bore & stroke	4 x 94 x 120 mm
Air consumption	2.8 m <sup>3</sup> /min
Engine cooling	indirect watercooling
Fuel consumption (no load - full load)	1-8 l/hour

### REMOTE CONTROL FOR WHISPER GENERATOR

40209102	DDC panel: Digital Diesel Control, standard for every Whisper generator	standard
40209102	Additional 2nd panel: DDC panel/slave version for second start/stop location	
	See page 73 for optional displays, controls and pc-link	

### ACCESSORIES & OPTIONS

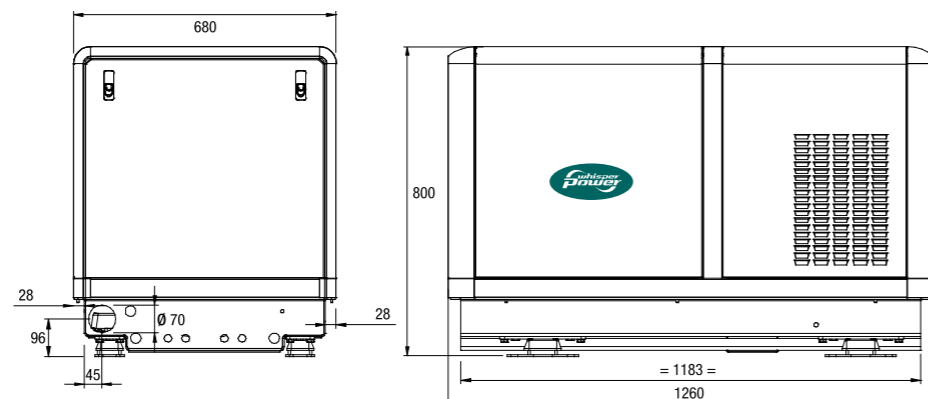
41101006	M-SQ 25 230 V / 50 Hz MARINE	ungrounded, wet exhaust
41101030	M-SQ 25 230 V / 50 Hz MARINE	keelcooling, dry exhaust
41101305	M-SQ 25 230 V / 50 Hz MARINE	wet exhaust, 3-phase
41101055	M-SQ 30 120/240 V / 60 Hz MARINE	wet exhaust, dual voltage
41101355	M-SQ 30 120/240 V / 60 Hz MARINE	wet exhaust, 3-phase
40230221	Water inlet kit 25 mm (1")	wet exhaust
40230274	Syphon breaker kit 25 mm (1")	wet exhaust
40230254	DELTA Exhaust kit 63 mm (2 1/2")	wet exhaust
40230264	DELTA Water-gas separ. kit 63 mm (2 1/2")	wet exhaust
40201894	Boxcooler kit	keelcooling, dry exhaust
40201889	Dry exhaust kit 2"	keelcooling, dry exhaust

<sup>2)</sup> peak power 200% <sup>3)</sup> Unit can be configured to 120 V-240 V / 50 or 60 Hz, single / three phase <sup>4)</sup> at 7 mtrs

### DIMENSIONS & WEIGHT

Length:	1260 mm
Width:	680 mm
Height:	800 mm
Dry weight:	580 kg
Dry exhaust pipe:	Ø 2 inch BSP
Wet exhaust:	Ø 63 mm
Location oil refill cap:	top
Max. operating angle:	25° in all directions

### INSTALLATION DRAWING M-SQ 25



smart energy solutions

# M-SQ Generator PTO

### Art. no.

50201399	PTO kit SAE A, 9-tooth	M-SQ 8 / 10 / 12 / 16
50201398	PTO kit SAE B, 13-tooth	M-SQ 8 / 10 / 12 / 16
50201598	PTO kit SAE B, 13-tooth	M-SQ 20 / 25

### WHISPERPOWER M-SQ GENERATOR AS POWER SOURCE FOR HYDRAULICS: POWER TAKE OFF

Hydraulics are frequently used on boats, and with good reason: a pump system with pressurised oil supplies a constant and immediately available mechanical force for the bowthruster, stabilisers, auxiliary propeller or sail controls.

A WhisperPower generator (8-25 kVA models) can function as an excellent hydraulic power source in this context. Using Power Take Off, you can easily adapt your diesel engine for an additional task for example to power a hydraulic pump.



### TWO TYPES: SAE A AND SAE B

Power Take Off is a stainless steel flange connected to the Whisper engine drive shaft, to which the central hydraulic pump is fitted.

- Two types are available:
- for hydraulic pumps with 9-tooth SAE A connection
  - for hydraulic pumps with 13-tooth SAE B connection

Hydraulic pumps are usually available from the supplier of the relevant hydraulic system. Consult your WhisperPower agent for advice on this issue.

### FOR M-SQ SERIES FROM 8 KW

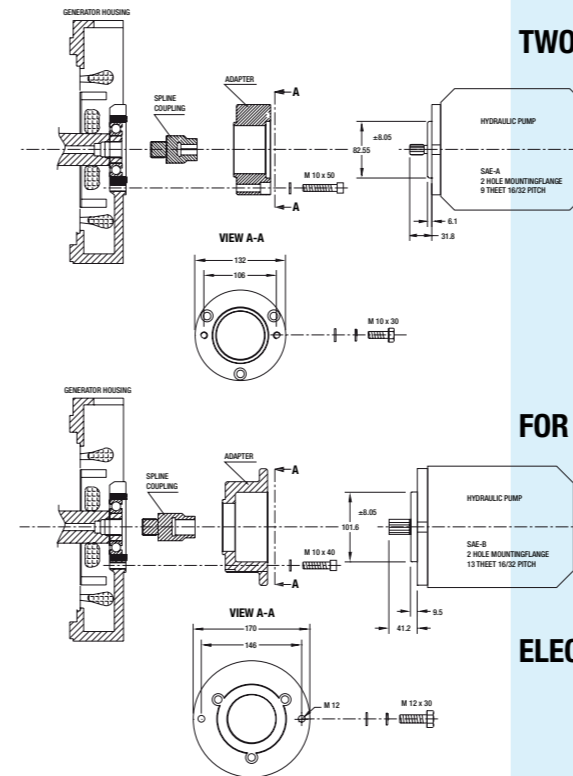
Power Take Off requires more power, especially if your generator needs to power the hydraulic system as well as the rest of your equipment. It is therefore only available for the M-SQ 8 / 10 / 12 / 16 / 20 and 25 - 50 Hz (M-SQ 7 / 9.5 / 11 / 15 / 20 and 30 - 60 Hz) models.

### ELECTRICITY, HYDRAULIC PRESSURE OR BOTH

With the optional Hydraulic Boost Function the M-SQ can be set to three different functions:

- generating electric current
- powering the hydraulic system
- a combination of both

Simultaneous use of these functions depends on the energy required by each: naturally every generator model has a maximum capacity.



smart energy solutions

### WHISPERPOWER 11kW HYDRAULIC GENERATOR

41607005	Hydraulic Powerpack 11 kW - (Designed to operate hydraulic systems without electrical generator)
	HxWxL: 640 x 575 x 1060 mm

# Marine Installation kits



Water inlet kit



DELTA Water/gas separator kit



DELTA Exhaust kit



Syphon Breaker



Dry exhaust kit



smart energy solutions

Art. no.

## WATER INLET KITS

Water inlet kit consisting of:  
Water strainer, hoses, hose clamps, through-hull fitting and seacock

- 40230201 Water inlet kit 12.5 mm (1/2") for M-SC 3.5 - wet exhaust
- 40230211 Water inlet kit 20 mm (3/4")
- 40230221 Water inlet kit 25 mm (1")

## SYPHON BREAKER KITS

Syphon breaker kit consisting of:  
Syphon breaker, hoses and hose clamps

- 40230272 Syphon breaker kit 12.5 mm (1/2") for M-SC 3.5 - wet exhaust
- 40230273 Syphon breaker kit 20 mm (3/4")
- 40230274 Syphon breaker kit 25 mm (1")

## DELTA EXHAUST KITS

DELTA Exhaust kit consisting of:  
Exhaust silencer/waterlock with unique rotating connections, through-hull fitting, hoses and hose clamps

- |  |          |
|--|----------|
| 40230251 DELTA Exhaust kit (1 5/8")    | 40 mm    |
| 40230252 DELTA Exhaust kit (2")        | 51 mm    |
| 40230254 DELTA Exhaust kit (2 1/2")    | 63 mm    |
| 40230093 DELTA Silencer/waterlock      | 40 mm    |
| 40230094 DELTA Silencer/waterlock      | 51 mm    |
| 40230190 DELTA Silencer/waterlock L 51 | 16 liter |
| 40230191 DELTA Silencer/waterlock L 63 | 16 liter |
| 40230192 DELTA Silencer/waterlock L 76 | 16 liter |

## DELTA WATER/GAS SEPARATOR KITS

DELTA Water/gas separator kit consisting of:  
Water/gas separator with unique rotating connections, through-hull fitting, hoses, hose clamps and seacock

- |   |          |
|---|----------|
| 40230261 DELTA Water-gas separator kit (1 5/8") | 40 mm    |
| 40230262 DELTA Water-gas separator kit (2")     | 51 mm    |
| 40230264 DELTA Water-gas separator kit (2 1/2") | 63 mm    |
| 40230097 DELTA Water-gas separator              | 40 mm    |
| 40230098 DELTA Water-gas separator              | 51 mm    |
| 40230193 DELTA Water-gas separator L 51         | 16 liter |
| 40230194 DELTA Water-gas separator L 63         | 16 liter |
| 40230195 DELTA Water-gas separator L 76         | 16 liter |

## DRY EXHAUST KIT

The Dry Exhaust kit contains two silencers:  
an absorption and a resonance muffler including fitting material

- 40201320 Dry exhaust kit 1" for the M-SC 3.5 / 6 / 10 / 11 and M-SQ 6 / 7 keelcooling
- 40201875 Dry exhaust kit 1 1/2" for the M-SQ 8 / 9.5 / 10 / 11 / 12 / 15 / 16 / 20 keelcooling
- 40201889 Dry exhaust kit 2" for the M-SQ 25 / 30 keelcooling

Information about starter batteries for Whisper generators: see page 74

# Marine Installation kits



Fuel kit



Anti-vibration kit, optional for 3000 RPM models, standard for M/W SQ models



smart energy solutions

Art. no.

## BOXCOOLER KITS

- 40201303 Boxcooler kit for M-SC 6 and M-SQ 6 / 7
- 40201873 Boxcooler kit for M-SQ 8 / 9.5 / 10 / 11 / 12 / 15
- 40201874 Boxcooler kit for M-SQ 16 / 20 - 60 Hz
- 40201894 Boxcooler kit for M-SQ 25 / 30 and M-SQ 20 - 50 Hz

## FUEL KIT FOR MARINE USE

- 40230205 Fuel kit for the M-SC and M-SQ generator systems

Fuel kit consisting of: fuel filter/water separator, hose clamps and couplings.

## BASE PLATE KITS

- 40230207 Base plate kit M-SC 3.5 (includes art. no. 40230217)
- 40230209 Base plate kit M-SC 6P / 8P (includes art. no. 40230217) only polyester version
- 40230217 Anti-vibration mounts, up to 280 kg

Anti-vibration kit consisting of: shock mounts and installation material.

## WATERHOSE FOR COOLING

- |   |                        | price p/m |
|---|------------------------|-----------|
| 50220057 Rubber flexible coolant hose (1/2")        | 13 x 21 mm (drum 20 m) |           |
| 50220011 Rubber flexible coolant hose (3/4")        | 18 x 26 mm (drum 20 m) |           |
| 50220012 Rubber flexible coolant hose (1")          | 25 x 34 mm (drum 20 m) |           |
| 50220013 Rubber flexible coolant hose (1 1/4")      | 32 x 41 mm (drum 20 m) |           |
| 50220055 Transparent coolant hose with metal spiral | 13 x 19 mm (drum 20 m) |           |
| 50220056 Transparent coolant hose with metal spiral | 19 x 26 mm (drum 20 m) |           |
| 50220050 Transparent coolant hose with metal spiral | 25 x 33 mm (drum 20 m) |           |

## MARINE FUEL HOSE

- |                                      |                       | price p/m |
|--------------------------------------|-----------------------|-----------|
| 50220063 Marine fuel hose for diesel | 8 x 16 mm (drum 20 m) |           |

## EXHAUST HOSE

- |                                |                          | price p/m |
|--------------------------------|--------------------------|-----------|
| 50220033 Exhaust hose (1 5/8") | 40 mm Ø (inner diameter) |           |
| 50220035 Exhaust hose (2")     | 51 mm Ø (inner diameter) |           |
| 50220036 Exhaust hose (2 1/2") | 63 mm Ø (inner diameter) |           |

The Whisper Power rubber exhaust hose is a very flexible corrugated hose (but smooth inside for low back pressure).  
This exhaust hose complies with US ABYC - and CE standards for marine exhaust hose (ISO 13363)

## BATTERY CABLE

- |                |                                | price p/m |
|----------------|--------------------------------|-----------|
| 50213070 Red   | 16 mm <sup>2</sup> (drum 50 m) |           |
| 50213071 Black | 16 mm <sup>2</sup> (drum 50 m) |           |
| 50213075 Red   | 25 mm <sup>2</sup> (drum 25 m) |           |
| 50213076 Black | 25 mm <sup>2</sup> (drum 25 m) |           |
| 50213085 Red   | 35 mm <sup>2</sup> (drum 25 m) |           |
| 50213086 Black | 35 mm <sup>2</sup> (drum 25 m) |           |



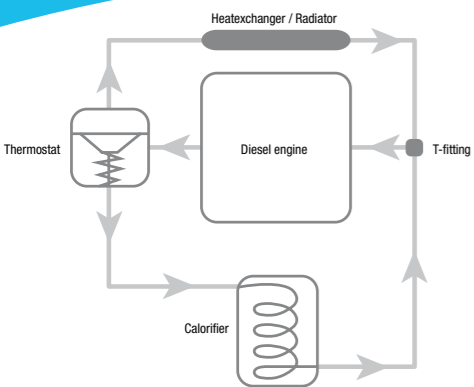
# Marine installation kits



B-kit contents



Calorifier kit



smart energy solutions

## No. Art.

### SERVICE KITS FOR MARINE USE

These kits are available for maintenance or to have the essential parts at hand. The A-kits include filters, V-belts and impeller. Our B-kits are more extensive, including seals and various mechanical parts.

40201260	A-kit	SC-3.5 - 3.000 RPM
40201860	A-kit	M-SC 6 and W-SC 10 - 3.000 RPM
40201861	B-kit	M-SC 6 - 3.000 RPM
40201761	B-kit	M-SC 10 - 3.000 RPM
40201860	A-kit	M-SQ 6 - 1.500 RPM
40201761	B-kit	M-SQ 6 - 1.500 RPM
40201460	A-kit	M-SQ 8 and W-SQ 12 - 1.500 RPM
40201653	B-kit	M-SQ 8 and M-SQ 10 - 1.500 RPM
40201461	B-kit	M-SQ 12 - 1.500 RPM
40201360	A-kit	M-SQ 16 - 1.500 RPM
40201361	B-kit	M-SQ 16 - 1.500 RPM
40201560	A-kit	M-SQ 20 and W-SQ 25 - 1.500 RPM
40201561	B-kit	M-SQ 20 and W-SQ 25 - 1.500 RPM



Spare parts catalogue: Now available in print or on our website

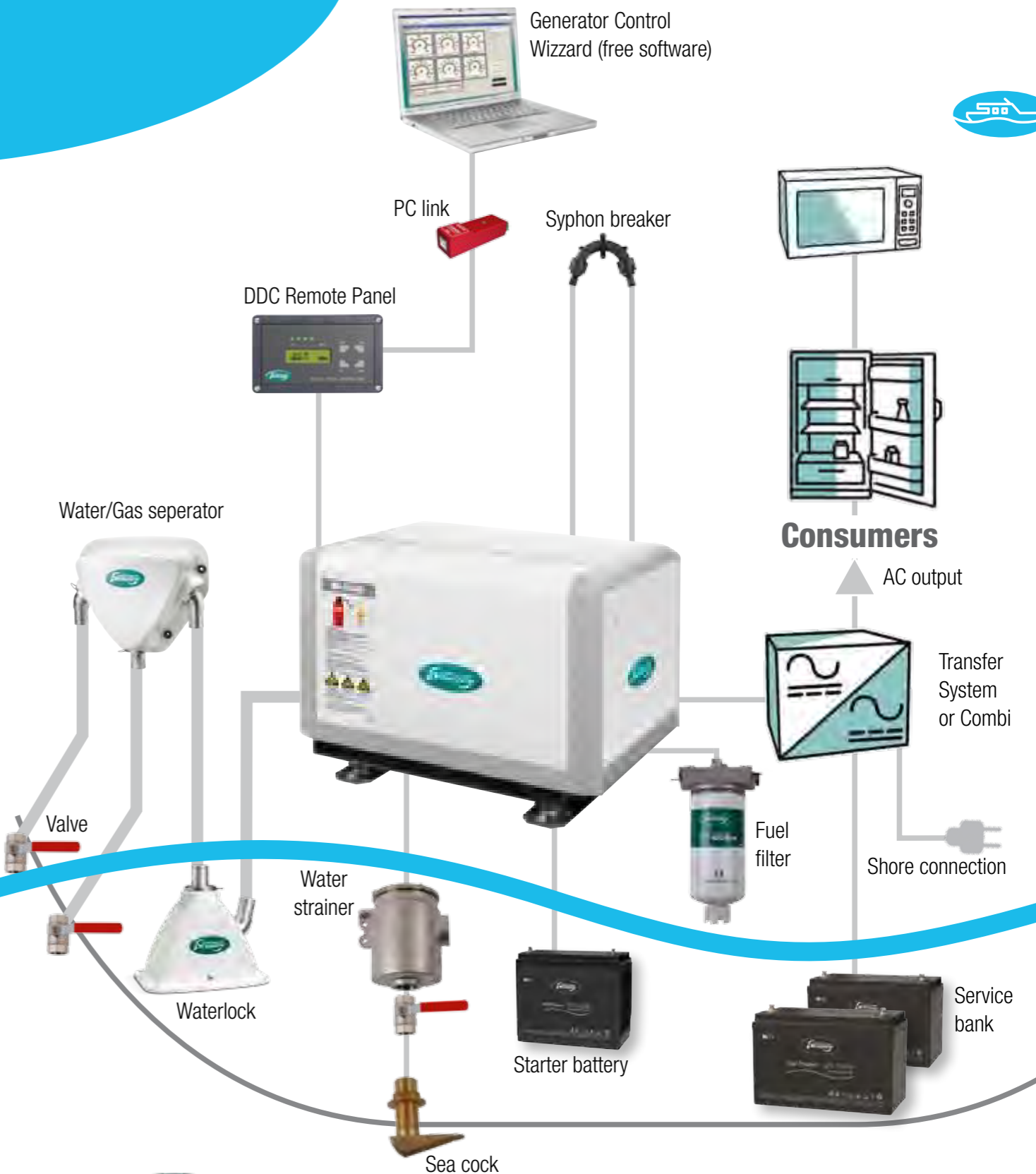
### CALORIFIER KIT - HOT WATER FROM THE GENERATOR

It is very simple to use a WhisperPower Generator as a source for hot water. The temperature of the coolant outlet is higher than 90°C. This hot coolant can be used to warm up a calorifier. Within 15 minutes you can have 80 liters of hot water (80°C). Installation kits to connect the calorifiers are available:

40245030	Calorifier kit for the M-SC 6 / 8 / 10 and M-SQ 6
40245031	Calorifier kit for the M-SC 8 / 10 / 12

The hot water can also be used for heating. This principle is well known as CHP (Combined Heat Power generation). Other models on request

# Marine installation example

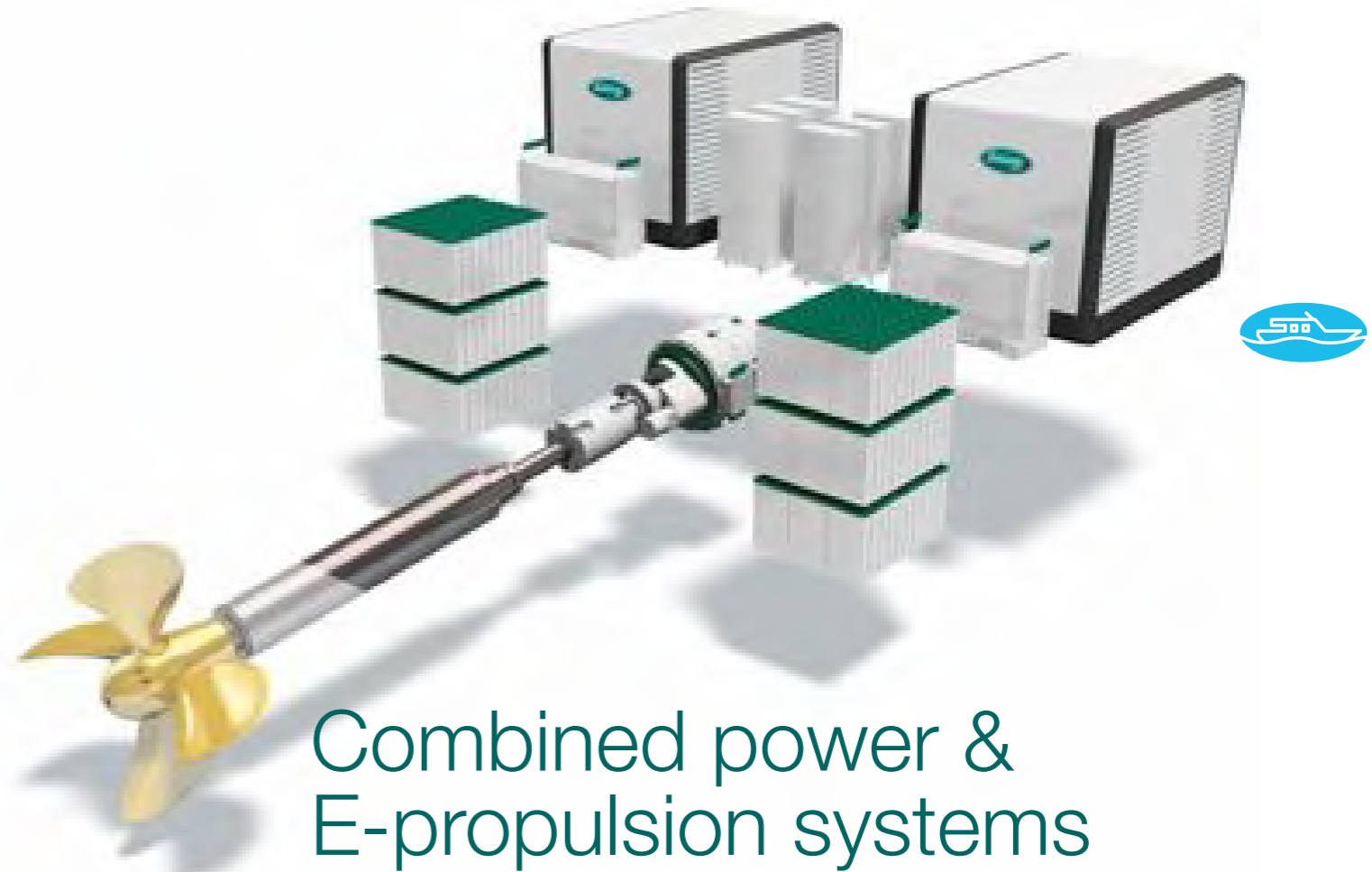
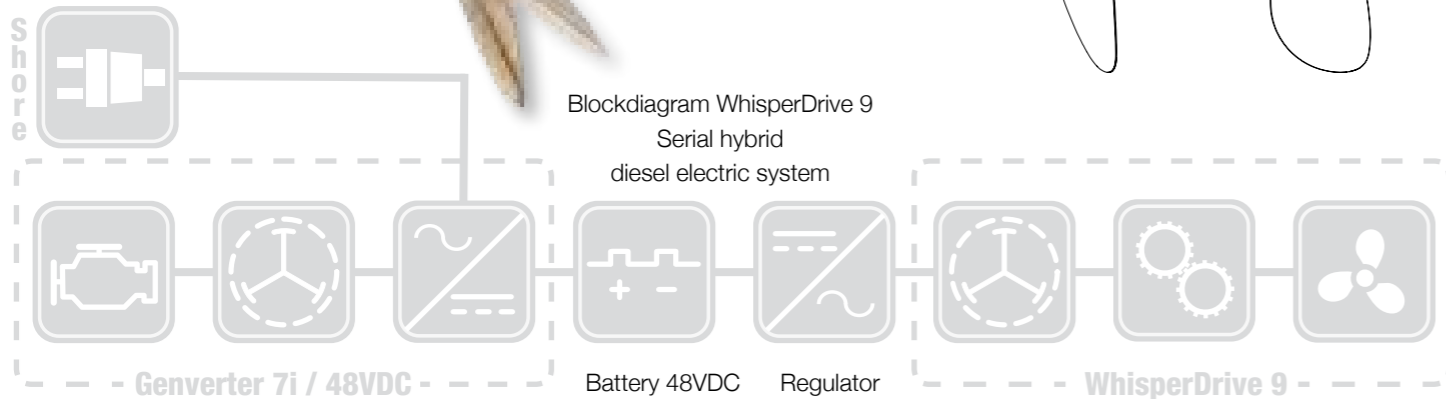
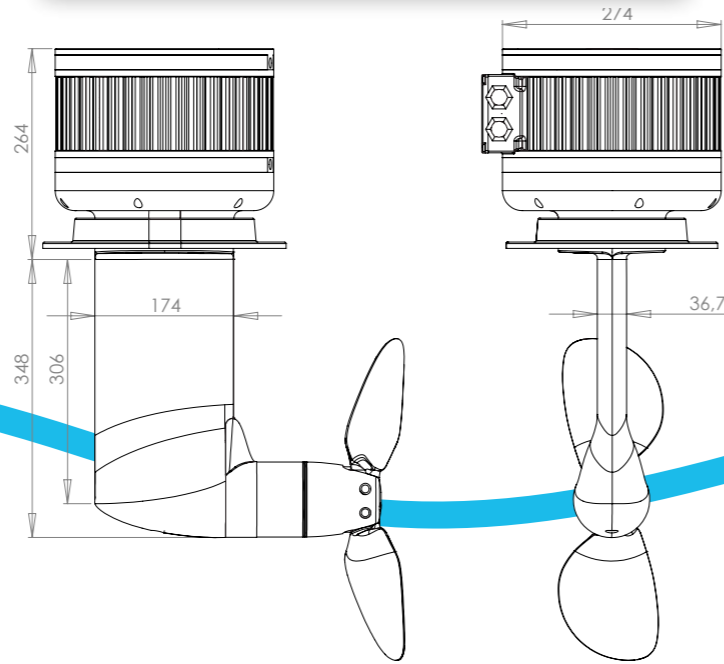


smart energy solutions

# 8.6 kW Sail Drive WhisperDrive - electric propulsion for yachts

- High Efficient Permanent Magnet Electrical Motor
- Saildrive with 1.93 : 1 reduction
- High quality folding propeller – 2 blade
- Operating voltage 48 VDC (GEL, AGM or Li-Ion)
- Motor controller included
- Low maintenance and watertight
- To be combined with GENVERTER power generator & batteries

Technical data	Art. Nr. 41501000
Technology	Permanent Magnet Electrical Engine
Nominal Power	8.6 kW
Operating voltage	48 VDC battery voltage
Cooling	Liquid cooled, closed cooling circuit
Type of batteries	open lead acid, GEL, AGM or ION Power
Material applied	Sea water resistant casting material
Propellor	2-blade foldable, bronze
Weight	39 kg
Size tail-length	612 mm
Boat size	up to 40 ft (depending on navigation area)
Speed control	external throttle forward/ neutral/ backwards



## Combined power & E-propulsion systems The Power of Green

Our Genverter 50/100/200 kW variable speed diesel generators are the heart of our new Hybrid Power systems for pleasure yachts and small commercial craft. By bringing power systems into the propulsion equation we create smart control of both energy demands and sources.

Our Hybrid Power propulsion and power systems generate, store, use, exchange and control onboard energy in an independent and integrated way. Main propulsion, bow thrusters, stern thruster, hydraulic systems and power systems work together in a smart way. The system can load balance peak periods by sharing the supply and energy from the storage.

### Why Buy WhisperPower's Hybrid:

- Reduction of components by smart sharing of functionality
- Optimized load balancing of the diesel engine(s)
- Fuel saving and improved system efficiency
- Reduction of emissions and audible noise
- Extended periods of silent power without running engines
- Space saving and freedom of engine room configuration
- Lower maintenance costs and extended life span of the engine
- Cleaner running of engines, less soot and black spots on the vessel

In off-peak periods the power sources are in optimal running mode and store unused energy. As a consequence, diesel generators can be downscaled as peak power demand will be supplied by the (Lithium ION) batteries.

On the next 2 pages we explain the system concepts we offer together with an overview of our high power Genverter variable speed generators. More information about the entire systems can be obtained on request.



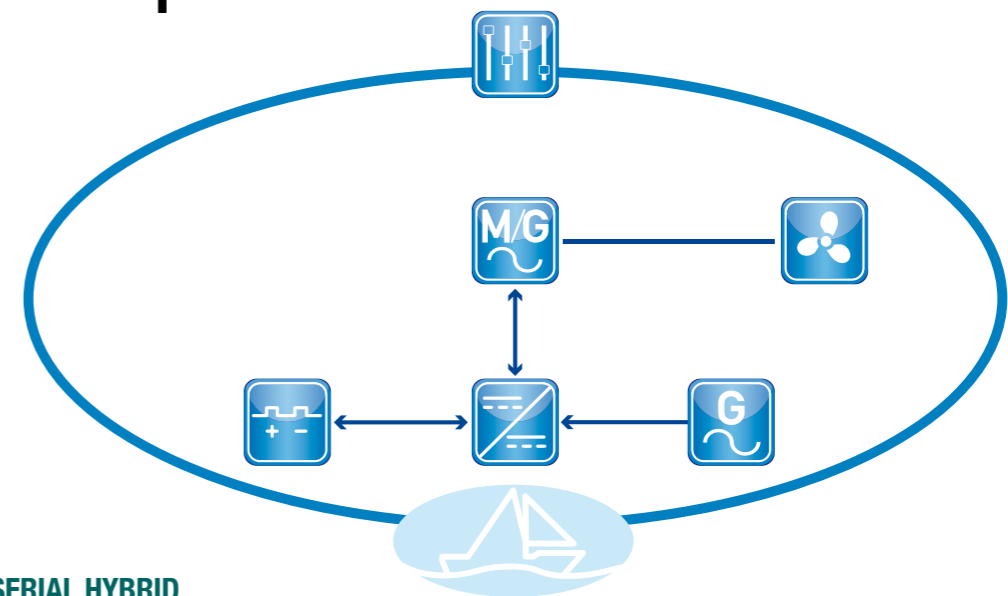
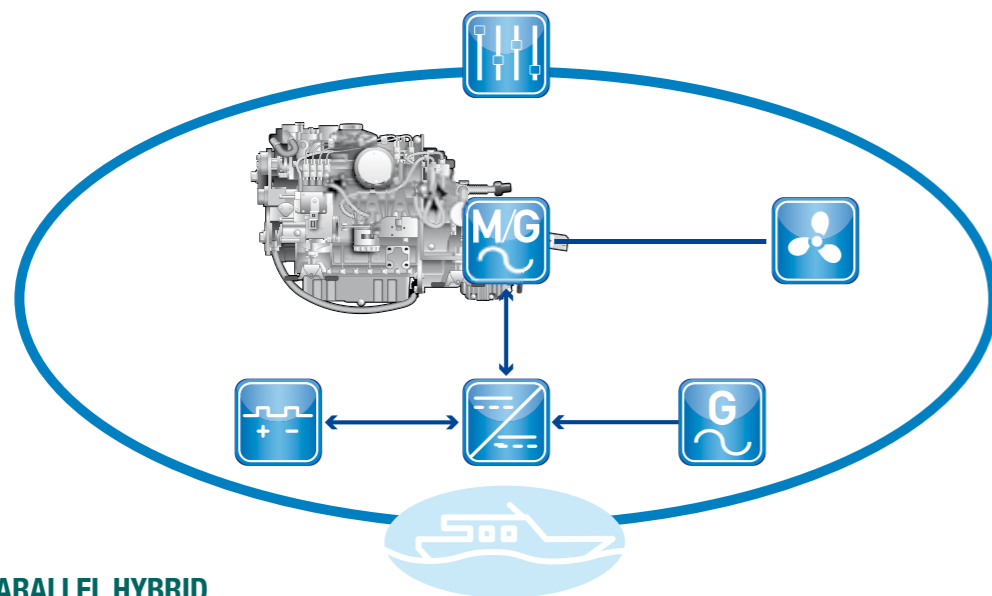
smart energy solutions

HYBRID



# The power of innovative technologies

## Two key Hybrid power concepts



### THE POWER OF PARALLEL HYBRID

Parallel Hybrid maintains the mechanical connection between the engine and propeller shaft, with the electric motor acting on the drive shaft in parallel with the engine. You can drive the propeller directly from the engine or from the electric motor, or from both. You can also disconnect the propeller for a stand alone generator function. The engine is disconnected during regeneration.

### THE POWER OF SERIAL HYBRID

In a Serial Hybrid system the conventional diesel engine is replaced by an electrical motor. A battery bank is connected to the common electric power bus, which is connected to the motor. The electrical energy is either provided by variable speed power generators or by the battery bank. With large batteries you can have long periods of electric propulsion (and/or driving electrical appliances) without resorting to the generator.

### THE MODULES

#### Hy-Gen power generators

Variable speed generators based on intelligent, permanent magnet alternator technology, utilising ultra-compact diesel engines and fitted in a sound shield. The power packs feed a high DC power bus, connected to the propulsion systems and the DC-AC power conversion system for the hotel load.



#### Hy-Store power storage

Deep cycle, long-life Lithium-ION battery provides emissionfree power for propulsion and/or power generation, without operating the auxiliary generators (Hy-Gen) or using the engines. Capacity, voltage and mechanical configuration vary with each system.



#### Hy-Charge battery charging

Sophisticated system for recharging the Lithium-ION battery bank from the Hy-Gen power packs or shore power. The battery can also be recharged during sailing by the shaft generator. In all cases the battery bank can be recharged and discharged over very short periods without harming its functionality or life-span.



#### Hy-Invert AC power supply

The highly efficient DC to AC inverters smoothly convert power from the various DC sources into a sine wave single and 3-phase 230/400 V AC / 50 Hz (or 60 Hz). With power ratings of 30 kVA, 60 kVA or 90 kVA, there is sufficient power to operate all the domestic appliances including airco.



#### Hy-Control

All system components are connected to the overall power management system, which controls and monitors the entire system. This advanced automation system is configured according to the yacht's requirements and fitted with a manual override to ensure redundancy.



#### Hy-Grid distribution system

The DC power distribution system that supplies electric power on demand from the power sources to the power consumers. An isolated and laminated copper busbar rail system with various switches, built into modular cabinets.



#### Hy-Prop propulsion

Propulsion is taken care of by one or more high-efficiency permanent magnet electrical motors, driving the propeller shaft through a gearbox. This electric drive is powered by either the Hy-Store or Hy-Gen module. Bow and sternthrusters are operated in a similar way.



HYBRID



# M-GV 50 Genverter

Hybrid variable speed  
High DC generator



## Art. no.

41006005 M-GV 50 Genverter

## VARIABLE SPEED HYBRID GENERATORS FOR E-PROPULSION AND POWER GENERATION

### MAIN SPECIFICATIONS (PRELIMINARY)

Nominal Power	50 kW at 3000 RPM 33 kW at 1500 RPM
Rated Output voltage	up to 750 VDC
Product technology	variable speed, light weight high speed diesel generator with water cooled compact 3-phase permanent magnet flywheel integrated alternator
RPM window	1250-2400 RPM
Sound level	58 dBA at 1500 RPM at 7 mtrs

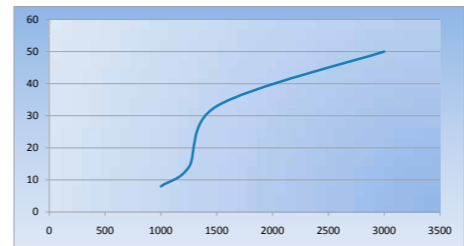
### SPECIFICATIONS DIESEL ENGINE

Engine model	MO144M38
Engine technology	4-stroke, turbo charged, intercooled, direct-injection, fresh water cooling, mono block, high speed combustion diesel engine
Output at Crankshaft	106 kW (144 HP) at 3800 rpm
Number of cylinders	4 in line
Injection system	two stage unit injectors, mechanically driven but electronically controlled with injection pressures up to 2000 bar
Displacement	3200 cm <sup>3</sup> (195 cid)
Bore	85 mm (3.35")
Stroke	94 mm (3.7")
Compression ratio	17,0
Max. torque	255 Nm at 2500 RPM
Fuel consumption	220 G/kWh
Exhaust emissions	EPA Tier II, RCD/2003/44
Ø Sea water inlet, outlet	25 mm (1"), 89 mm (3 1/2")
Electrical system	12 VDC system plug in solution; 14 V / 80 A Alternator; 2 pole installation as standard; engine diagnostic as standard

### ACCESSORIES

Up to 200 kVA modular switch mode bi-directional DC/DC converter for high voltage battery charging.  
Up to 200 kVA modular switch mode bi-directional DC/AC inverter for hotel load and stable 220/400 VAC 50/60 Hz.  
Power management control centre HY-Control, multipurpose display and load management control functions.  
Up to 80 kWh of high voltage Lithium ION battery-pack for silent mode, E-propulsion and hybrid functionality.

50 kW	RPM	kW
	1000	8
	1250	14
	1500	33
	3000	50



RPM versus power

### GENERATOR BACK-END SPECIFICATIONS

Model PM	Synchronous Permanent Magnet, Maintenance free, water cooled alternator
Rated Power	50 kW at 3000 RPM
Rated output Voltage	max 750 VDC
Number of phase and frequency	3 up to 400 Hz
Efficiency	> 92 %
Generator cooling	Integrated in fresh water circuit of motor, 6 ltr/min flow rate at max 75°C
Level of protection	IP65, shielded cables
Bearing concept	Double bearing concept, intergated on board (dis)-assembly functionality

### INSTALLATION SPECIFICATIONS

Dry Weight	390 kg incl. sound shield, excl. converter
Dimension Soundshield	1200 x 860 x 860 mm
Sound shield shock mounts	4 units
Max. operation angle	25° in all directions

### HYBRID CONVERTER SPECIFICATIONS

Topology	Uni directional water cooled AC to DC converter
Input voltage	3 phase PM, up to 400 Hz
Efficiency range	90 - 96 %
Rated output voltage	750 VDC to 500 VDC
Nominal Power	50 kW at 750 VDC 33 kW at 500 VDC

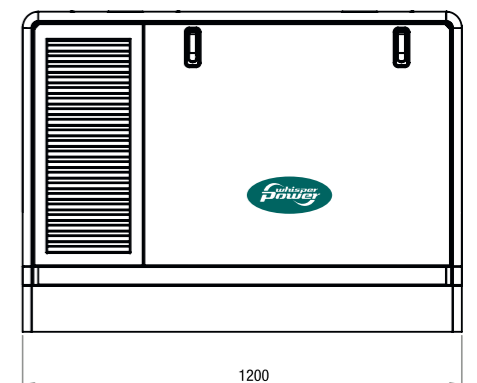
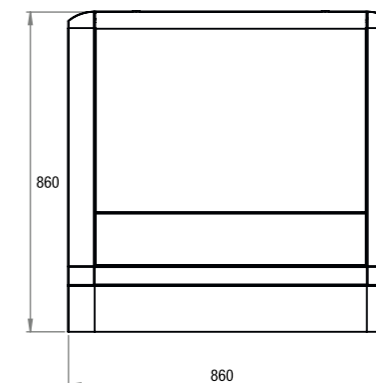
### USER INTERFACE SPECIFICATIONS

WHCC - Whisper Hybrid Control Centre. Engine interface, multipurpose communication protocol based on SAEJ1939 Can 2.0 databus.

### DIMENSIONS & WEIGHT (preliminary)

Length:	1200 mm
Width:	860 mm
Height:	860 mm
Dry weight:	390 kg

### INSTALLATION DRAWING M-GV 50



Power electronics



smart energy solutions



smart energy solutions



# M-GV 100 Genverter

Hybrid variable speed  
High DC generator



## Art. no.

41007005 M-GV 100 Genverter

## VARIABLE SPEED HYBRID GENERATORS FOR E-PROPULSION AND POWER GENERATION

### MAIN SPECIFICATIONS (PRELIMINARY)

Nominal Power	100 kW at 2400 RPM 40 kW at 1500 RPM
Rated Output voltage	up to 750 VDC
Product technology	variable speed, light weight high speed diesel generator with water cooled compact 3-phase permanent magnet flywheel integrated alternator
RPM window	1250-3000 RPM
Sound level	58 dBA at 1500 RPM at 7 mtrs

### SPECIFICATIONS DIESEL ENGINE

Engine model	M0156K25
Engine technology	4-stroke, turbo charged, intercooled, direct-injection, fresh water cooling, mono block, high speed combustion diesel engine
Output at Crankshaft	110 kW (150 HP) at 2500 RPM
Number of cylinders	6 in line
Injection system	two stage unit injectors, mechanically driven but electronically controlled with injection pressures up to 2000 bar
Displacement	3200 cm <sup>3</sup> (195 cid)
Bore	85 mm (3.35")
Stroke	94 mm (3.7")
Compression ratio	17,0
Max. torque	450 Nm at 1550 RPM
Fuel consumption	220 G/kWh
Exhaust emissions	EPA Tier II, Tier III ready, RCD/2003/44
Ø Sea water inlet, outlet	25 mm (1"), 89 mm (3.5")
Electrical system	12 VDC system plug in solution; 14 V / 80 A Alternator; 2 pole installation as standard; engine diagnostic as standard

### ACCESSORIES

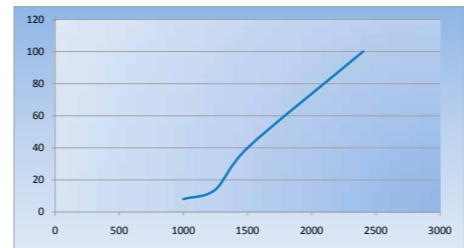
Up to 200 kVA modular switch mode bi-directional DC/DC converter for high voltage battery charging.  
Up to 200 kVA modular switch mode bi-directional DC/AC inverter for hotel load and stable 220/400 VAC 50/60 Hz.  
Power management control centre HY-Control, multipurpose display and load management control functions.  
Up to 80 kWh of high voltage Lithium ION battery-pack for silent mode, E-propulsion and hybrid functionality.

Power electronics



smart energy solutions

100 kW	RPM	kW
	1000	8
	1250	14
	1500	40
	2400	100



RPM versus power

### DIMENSIONS & WEIGHT (preliminary)

Length:	1260 mm
Width:	860 mm
Height:	860 mm
Dry weight:	480 kg



smart energy solutions

### GENERATOR BACK-END SPECIFICATIONS

Model PM	Synchronous Permanent Magnet, Maintenance free, water cooled alternator
Rated Power	100 kW at 2400 RPM
Rated output Voltage	max 750 VDC
Number of phase and frequency	3 up to 400 Hz
Efficiency	> 92%
Generator cooling	Integrated in fresh water circuit of motor, 6 ltr/min flow rate at max 75°C
Level of protection	IP65, shielded cables
Bearing concept	Double bearing concept, integrated on board (dis)-assembly functionality

### INSTALLATION SPECIFICATIONS

Dry Weight	480 kg incl. sound shield, excl. converter
Dimension Soundshield	1260 x 860 x 860 mm
Sound shield shock mounts	4 units
Max. operation angle	25° in all directions

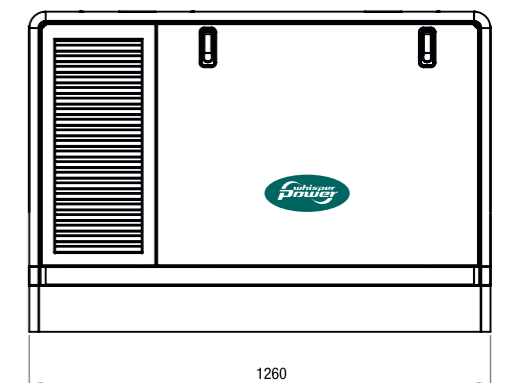
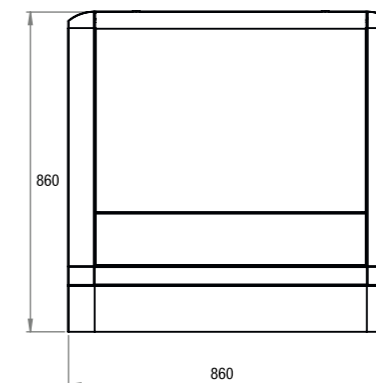
### HYBRID CONVERTER SPECIFICATIONS

Topology	Uni directional water cooled AC to DC converter
Input voltage	3 phase PM, up to 400 Hz
Efficiency range	90 - 96%
Rated output voltage	750 VDC to 500 VDC
Nominal Power	100 kW at 750 VDC 60 kW at 500 VDC

### USER INTERFACE SPECIFICATIONS

WHCC - Whisper Hybrid Control Centre. Engine interface, multipurpose communication protocol based on SAEJ1939 Can 2.0 databus

### INSTALLATION DRAWING M-GV 100



# M-GV 200 Genverter

Hybrid variable speed  
High DC generator



## Art. no.

41008005 M-GV 200 Genverter

## VARIABLE SPEED HYBRID GENERATORS FOR E-PROPULSION AND POWER GENERATION

### MAIN SPECIFICATIONS (PRELIMINARY)

Nominal Power	200 kW at 4500 RPM 40 kW at 1500 RPM
Rated Output voltage	up to 750 VDC
Product technology	variable speed, light weight high speed diesel generator with water cooled compact 3-phase permanent magnet flywheel integrated alternator
RPM window	1250-4500 RPM
Sound level	58 dBA at 1500 RPM at 7 mtrs

### SPECIFICATIONS DIESEL ENGINE

Engine model	M0306H43WJ
Engine technology	4-stroke, turbo charged, intercooled, direct-injection, fresh water cooling, mono block, high speed combustion diesel engine
Output at Crankshaft	215 kW (295 HP) at 4300 RPM
Number of cylinders	6 in line
Injection system	two stage unit injectors, mechanically driven but electronically controlled with injection pressures up to 2000 bar
Displacement	3200 cm <sup>3</sup> (195 cid)
Bore	85 mm (3.35")
Stroke	94 mm (3.7")
Compression ratio	17,0
Max. torque	540 Nm at 3800 RPM
Fuel consumption	215 G/kWh
Exhaust emissions	EPA Tier II, RCD/2003/44
Ø Sea water inlet, outlet	25 mm (1"), 89 mm (3.5")
Electrical system	12 V system plug in solution; 14 V / 80 A Alternator; 2 pole installation as standard; engine diagnostic as standard

### ACCESSORIES

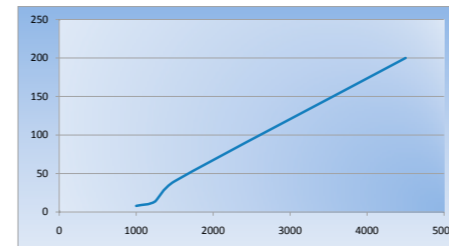
Up to 200 kVA modular switch mode bi-directional DC/DC converter for high voltage battery charging.  
Up to 200 kVA modular switch mode bi-directional DC/AC inverter for hotel load and stable 220/400 VAC 50/60 Hz.  
Power management control centre HY-Control, multipurpose display and load management control functions.  
Up to 80 kWh of high voltage Lithium ION battery-pack for silent mode, E-propulsion and hybrid functionality.

Power electronics



smart energy solutions

200 kW	RPM	kW
	1000	8
	1250	14
	1500	40
	4500	200



RPM versus power

### DIMENSIONS & WEIGHT (preliminary)

Length:	1400 mm
Width:	860 mm
Height:	860 mm
Dry weight:	480 kg



smart energy solutions

### GENERATOR BACK-END SPECIFICATIONS

Model PM	Synchronous Permanent Magnet, Maintenance free, water cooled alternator
Rated Power	200 kW at 4500 RPM
Rated output Voltage	max 750 VDC
Number of phase and frequency	3 up to 400 Hz
Efficiency	> 92 %
Generator cooling	Integrvated in fresh water circuit of motor, 6 ltr/min flow rate at max 75°C
Level of protection	IP65, shielded cables
Bearing concept	Double bearing concept, intergated on board (dis)-assembly functionality

### INSTALLATION SPECIFICATIONS

Dry Weight	480 kg incl. sound shield, excl. converter
Dimension Soundshield	1400 x 860 x 860 mm
Sound shield shock mounts	4 units
Max. operation angle	25° in all directions

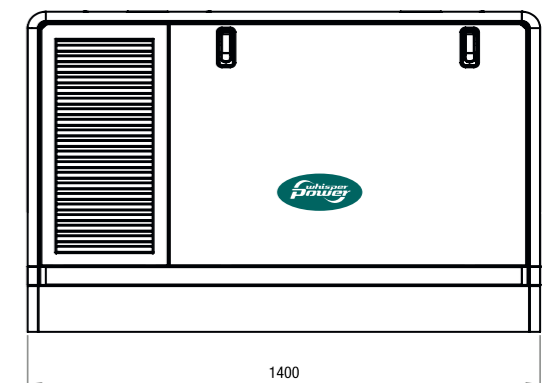
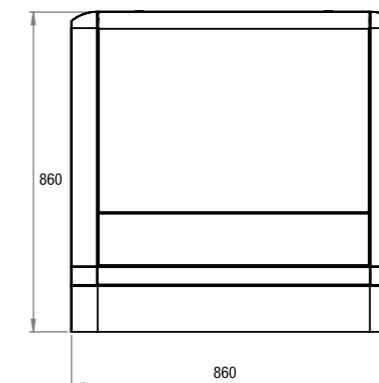
### HYBRID CONVERTER SPECIFICATIONS

Topology	Uni directional water cooled AC to DC converter
Input voltage	3 phase PM, up to 400 Hz
Efficiency range	90 - 96 %
Rated output voltage	750 VDC to 500 VDC
Nominal Power	200 kW at 750 VDC 120 kW at 500 VDC

### USER INTERFACE SPECIFICATIONS

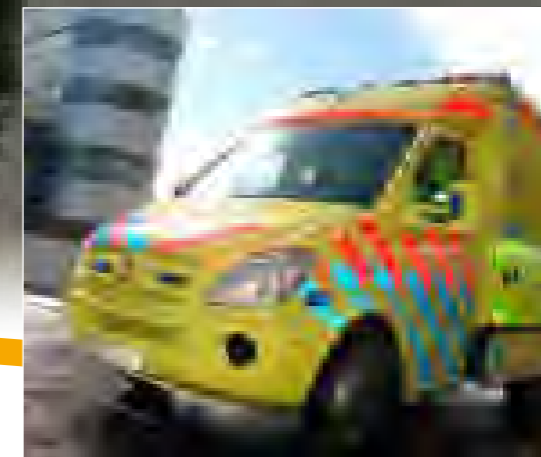
WHCC - Whisper Hybrid Control Centre. Engine interface, multipurpose communication protocol based on SAEJ1939 Can 2.0 databus

### INSTALLATION DRAWING M-GV 200



# For mobile use

## Smart energy solutions



Customised power is essential for specific applications and a certain level of comfort in mobile facilities.

This requires intelligent and sustainable solutions that are also environmentally friendly.

WhisperPower offers a wide range of generators and genset systems that come with everything you need for easy installation or application; whether in a promotional vehicle, mobile surgery, luxury horse trailer or recreational vehicle.



smart energy solutions

# W-BD 3.5/5 Belt Power 230 VAC generator system



Belt Power 5.0 - Power / Inverterbox & Alternator



Remote panel for Belt Power, with various settings

## Art. no.

- 41301000 W-BD 3.5 <sup>1)</sup>
- 41302000 W-BD 5 <sup>1)</sup>

## SPECIFICATIONS

Power (continuous)  
Max current (continuously)  
Max. inrush current (320 ms)  
Voltage  
Frequency

W-BD 3.5	W-BD 5
3500 W	5000 W
16 A	27 A
32 A	40 A
230 V	230 V
50 Hz	50 Hz

## POWER / INVERTER BOX

Net weight  
Dimensions (h x w x d)  
Efficiency

9.6 kg
376 x 323 x 127 mm (app.)
95 %

## GENERATOR

Net weight  
Dimensions (h x w x d)  
Voltage  
Field voltage

6.9 kg
159 x 178 x 190 mm
200-340 V 3 phase
14.4 V

## REMOTE CONTROL PANEL

41301030 Dimensions (h x w x d)

116 x 79 x 19 mm
------------------

## ACCESSORIES

- 41301020 Shielded power supply cable\*
- 41301021 Shielded power supply cable\*
- 41301022 Shielded power supply cable\*  
Shielded cable
- 41301025 Cable remote control panel
- 41301026 Cable remote control panel
- 50209133 Cable remote control panel

5 m
8 m
10 m
per metre
5 m
10 m
15 m

## STANDARD SUPPLY

Generator + Inverter Box + Special cable\* + installation materials + Manuals

## OPTIONAL

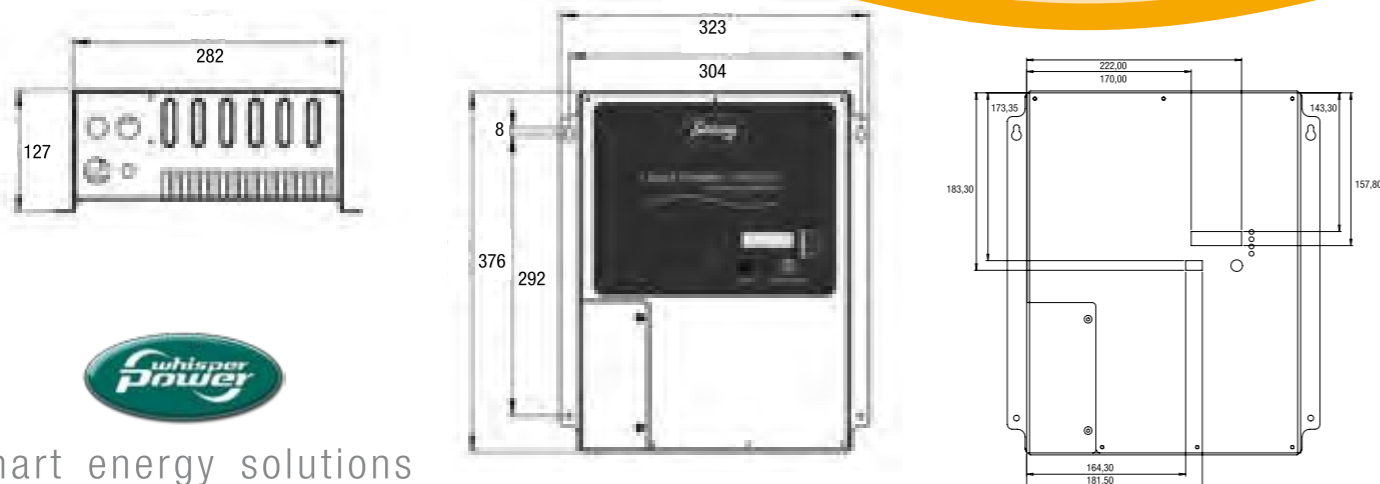
Remote Control Panel\*\* + cable

<sup>1)</sup> Also suitable for Marine applications

\* When ordering always order the selected special cable between Inverter Box and Generator as well! Length to be selected.

\*\*All control and monitoring functions are available from both the Inverter Box and the Remote Control Panel.

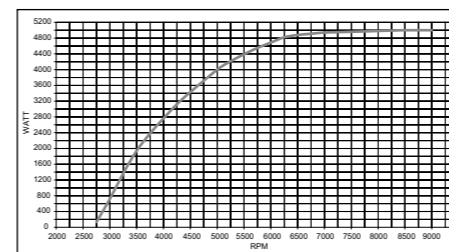
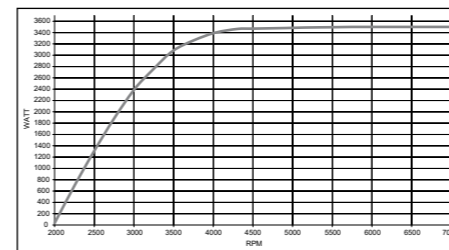
## INSTALLATION DRAWING W-BD GENERATOR



# W-BD 3.5/5 Belt Power 230 VAC generator system



Pulley



Speed/power diagram W-BD 5 (5 kW)

## Art. no.

## STANDARD PULLEYS AND PULLEYS TO CLIENT SPECIFICATION

Depending on the vehicle model, mounting brackets to mount the generator on the engine could be available or can be specially designed

41301050	Pulley poly 6 groove	Ø 60 mm (recommended)
41301051	Pulley poly 6 groove	Ø 50 mm
41301052	Pulley double V groove 12.7 mm	Ø 70 mm
41301053	Pulley double V groove 10 mm	Ø 60 mm

## SAFETY ALARMS

Short circuit, overload, over temperature, low/high rpm, low/high voltage

## DETERMINE THE PULLEY DIAMETER DESIGN

The graphs show the available AC power corresponding to the generator speed. The speed of 2 pulleys relate to each other proportional to the diameter of the pulleys.

First one need to know the engine speed = crankshaft speed when idling and at full speed. When the drive pulley is not on the crankshaft the rpm of the pulley drive shaft must be determined.

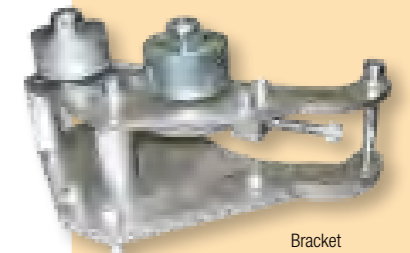
The pulleys should be selected in such a way that at low speed the generator can bring the power required.

However the max. speed must not exceed 15000 RPM.

## ATTENTION!

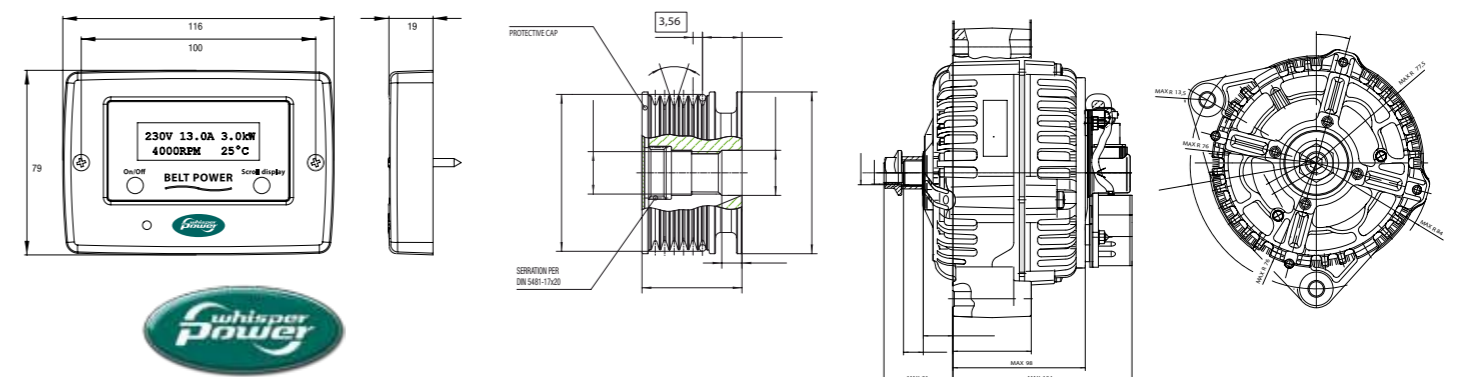


The W-BD5 model needs 6500 RPM to generate 5 kW. Compared with the W-BD 3.5 the 5 kW model will also need more RPM (3200) to generate 1 kW. Refer to the graph.



Bracket

## INSTALLATION DRAWING REMOTE CONTROL PANEL



# W-GV 4 Basic Genverter

Variable speed generator



W-GV 4 Basic, service side



DDC control panel 'Digital Diesel Control', supplied as standard with all sets

## Art. no.

41002000 W-GV 4 Basic

### AC SYSTEM SPECIFICATIONS

System output continuous	3.8 kW at max rpm
Max output power	36 A
Output voltage / frequency	230 V / 50 Hz <sup>1)</sup>
Harmonic distortion	< 5%
Parallel operation	max. 2 units

### ALTERNATOR SPECIFICATIONS

Type	Permanent Magnet Alternator (PM)
RPM range	2400-3600 rpm
Efficiency	94%

### ENGINE SPECIFICATIONS

Engine	WhisperPower
Cylinder	1
Capacity	300 cc
Engine cooling	oil-cooled / internal radiator
Fuel consumption (no load - full load)	0.8 - 1.5 l/hr
Starting	electrical
Starter battery	12 V / 55 Ah (optional)

### REMOTE CONTROL FOR GENVERTER BASIC

40209102	DDC panel: Digital Diesel Control, standard for every Whisper generator	standard
40209102	Additional 2nd panel: DDC panel/slave version for second start/stop location See page 73 for optional displays, controls and pc-link	

### ACCESSORIES FOR W-GV 4 BASIC, W-GV 4DC AND W-GV 7i

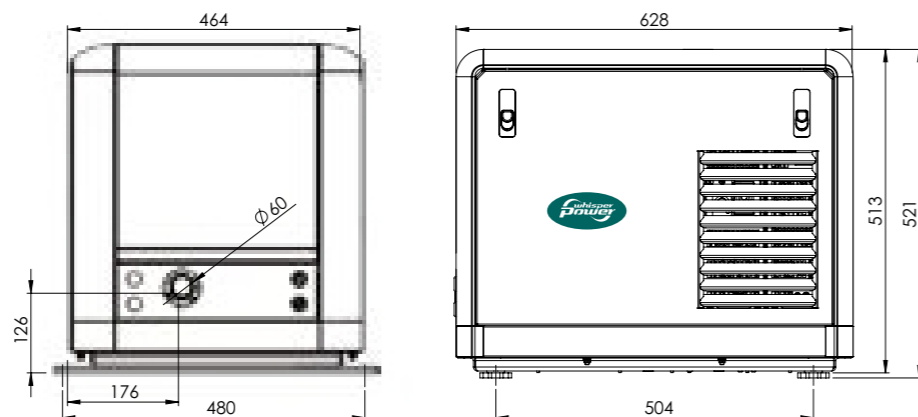
40201325	Kit (1")	dry exhaust	
40230205	Fuel Kit		

<sup>1)</sup> 120 V / 60 Hz optional  
Available late 2011

## DIMENSIONS & WEIGHT

Length:	630 mm
Width:	480 mm
Height:	520 mm
Dry weight:	92 kg
Dry exhaust pipe:	Ø 1 inch BSP thread

## INSTALLATION DRAWING W-GV 4 BASIC



smart energy solutions

# W-GV 4DC Genverter

DC generator



DC Generator / Battery charger



DDC control panel 'Digital Diesel Control', supplied as standard with all sets

## Art. no.

41003000 W-GV 4DC

### DC SYSTEM SPECIFICATIONS

Input voltage (grid)	90 - 260 VAC
Input frequency (grid)	47 - 63 Hz
Battery voltage, nominal	24 VDC or 48 VDC
Battery charging current	150 A (adjustable) or 75 A / 48 VDC
Charge characteristic	3-step, IUoUo, temp. compensated

### ALTERNATOR SPECIFICATIONS

Type	Permanent Magnet Alternator (PM)
Continuous rated power 3000 rpm	3.3 kW
Efficiency	94%
RPM	variable speed or fixed

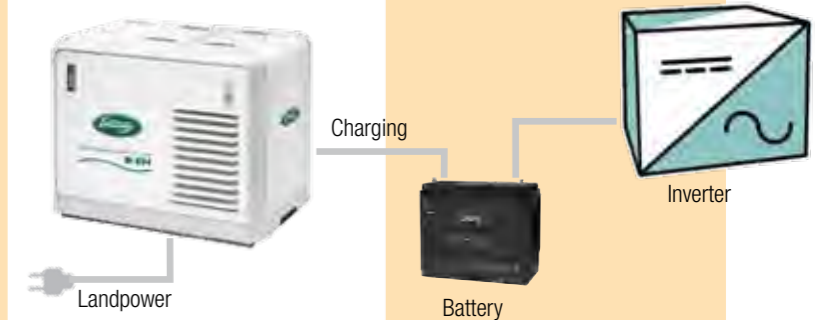
### ENGINE SPECIFICATIONS

Engine	WhisperPower
Cylinder	1
Capacity	300 cc
Engine cooling	radiator cooled
Fuel consumption (no load - full load)	0.8 - 1.5 l/hr
Starting	electrical
Starter battery	12 V / 55 Ah (optional)
12 V Battery charger	included

### REMOTE CONTROL FOR GENVERTER 4DC GENERATOR

40209102	DDC panel: Digital Diesel Control, standard for every Whisper generator	standard
----------	---	----------

### FOR ACCESSORIES SEE W-GV 4 BASIC (PAGE 44)



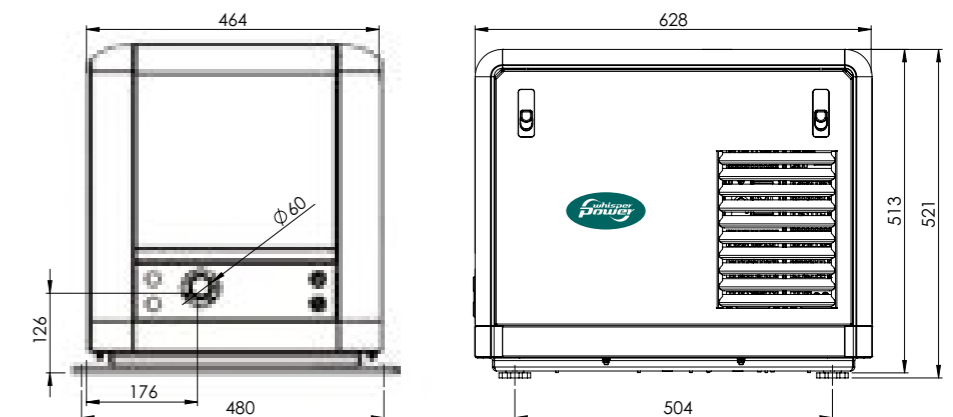
## DIMENSIONS & WEIGHT

Length:	630 mm
Width:	480 mm
Height:	520 mm
Dry weight:	80 kg
Dry exhaust pipe:	Ø 1 inch BSP thread



smart energy solutions

## INSTALLATION DRAWING W-GV 4DC



# W-GV 7i Genverter Hybrid generator variable speed



W-GV 7i  
Generator



Genverter W-GV 7i  
Genverter Power Centre  
(inverter/battery Charger)



Genverter W-GV 7i  
Monitoring & Control  
panel: Generator Control  
(DDC), Extended Inverter /  
Charger Control + Ah  
Counting.

## Art. no.

41004200	W-GV 7i 230 V / 3.8 kVA + 2.0 kVA 12 VDC Combi, dry exhaust
41004400	W-GV 7i 230 V / 3.8 kVA + 3.5 kVA 24 VDC Combi, dry exhaust
41004800	W-GV 7i 230 V / 3.8 kVA + 3.5 kVA 48 VDC Combi, dry exhaust

Variable speed	2400-3400 rpm
Combined system output	7 kW / 24/48 VDC, 5.8 kW / 12 V models
Generator power (running engine)	3.8 kW
Silent power (inverter mode)	2.0 kVA / 12 V, 3.5 kVA 24/48 VDC

## INVERTER / GENERATOR SPECIFICATIONS

Peak output AC	60.0 A
Nominal voltage AC	230 Vac
Nominal current AC (combined)	30.0 A
Nominal frequency AC	50.0 Hz
Thd nominal operation AC	<5%
Leading or lagging power factor	0,1 - 1
Parallel use (multiple systems)	Not possible
Capacity (starter) battery (AGM)	12 V 55 Ah
Starter battery charge current	10 A maintenance charger

## BATTERY CHARGER SPECIFICATIONS

Charge current	12V model 100A, 24V model 90A, 48V model 50A
Charge characteristic	3-step, IUUJo
AC Shorepower	190 - 260 Vac
Temperature sensor	Yes

## MECHANICAL SPECIFICATIONS

Cooling	radiator cooled
Max. Operation angle (in all directions)	25°
Temperature range operational	-20°C to 60°C
Relative humidity	Max. 95% relative humidity, none condensing
Remote control	Genverter 7i Control

## DIESEL ENGINE

Engine model	Whisper WP1
Number of cylinders	1
Cylinder capacity	300 cc
Air consumption	0.42 m³/min @3000rpm
Engine cooling	radiator cooled
Fuel consumption (no load-full load)	0.8-1.5 ltrs/hrs

## FOR ACCESSORIES SEE W-GV 4 BASIC (PAGE 44)

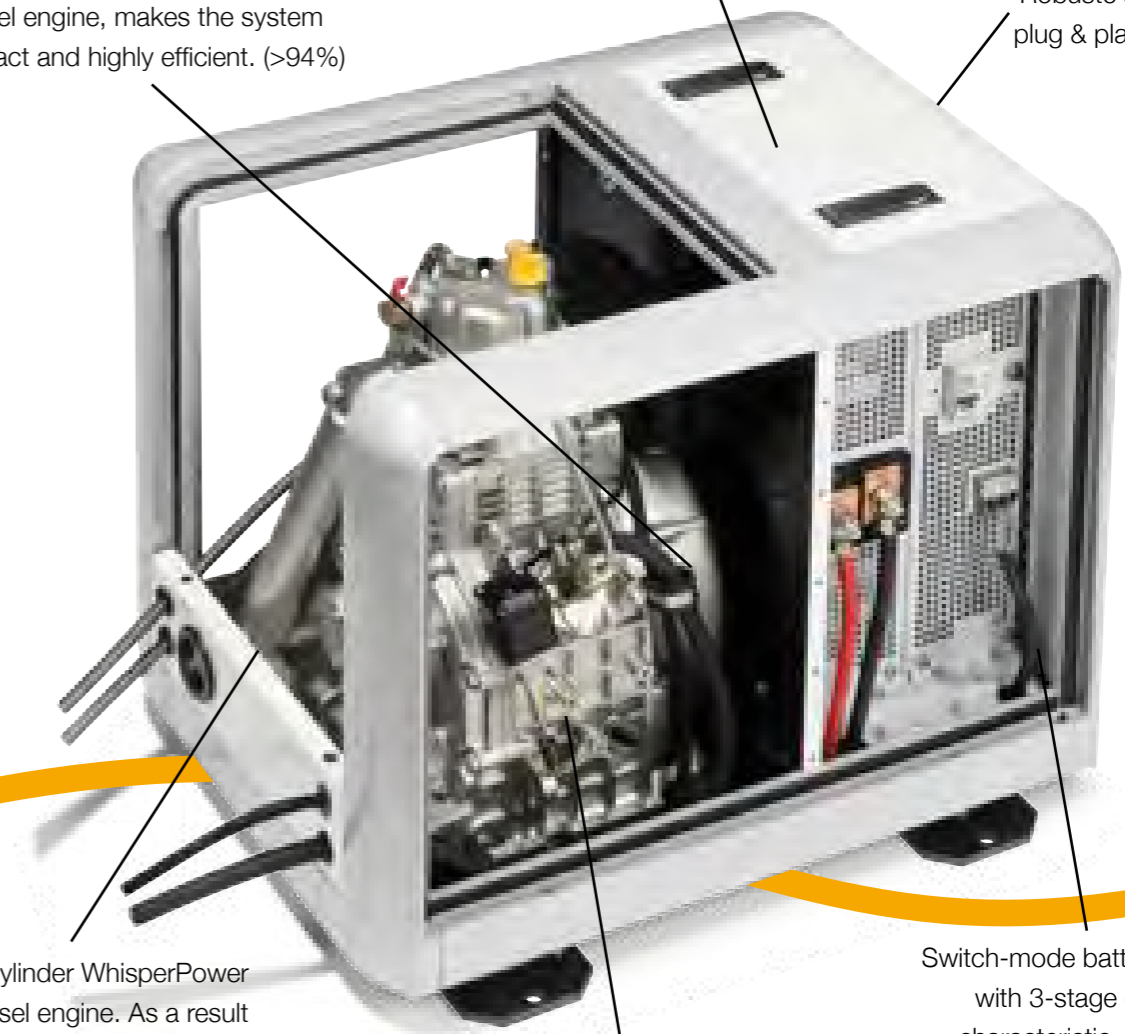
1) Delivered with separate Combi inverter / charger cabinet  
HxWxD 500 x 316 x 360 mm Weight appr. 20 Kg.

# a close look inside Genverter GV 4DC

Permanent magnet alternator integrated with the fly wheel of the diesel engine, makes the system compact and highly efficient. (>94%)

Audible noise level < 52 dBA (in engine mode), at low rpm.

Robuste sound shield plug & play installation.



1 cylinder WhisperPower diesel engine. As a result of a smart liquid cooling concept reduction of noise level. External oil cooler/radiator with fan supplied as a kit, marine versions are fitted with an oil cooler/heat exchanger for indirect cooling.

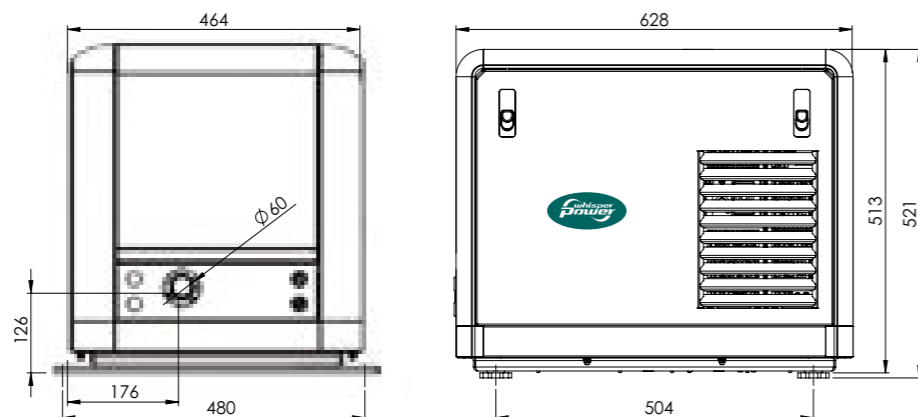
Intelligent power management system controls the engine speed: at high power demand higher rotations per minute, at low demand lower rotation speed.

Switch-mode battery charger with 3-stage charge characteristic, includes temperature sensor, to charge all kinds of batteries (AGM/GEL/open lead-acid etc.) during a: diesel generator mode or b: when land power is available (90-260 VAC or 47-63 VAC).

## DIMENSIONS & WEIGHT

Generator	Combi - enclosure
Length: 630 mm	500 mm
Width: 480 mm	360 mm
Height: 520 mm	300 mm
Dry weight: 92 kg	25 kg
Dry exhaust pipe: Ø 1 inch BSP inner thread	

## INSTALLATION DRAWING W-GV 7i



smart energy solutions



# W-SC 3 Diesel generator 3.000 RPM Super Compact series



DDC control panel 'Digital Diesel Control', supplied as standard with all sets

## Art. no.

40900520 W-SC 3 230 V / 50 Hz

### MAIN SPECIFICATIONS

Nominal power <sup>2)</sup>	2.5 kW at 3.000 RPM
Nominal voltage <sup>3)</sup>	230 V - 11 A
Output frequency	50 Hz
Power factor / cos phi	1
Voltage tolerance	± 7%
Frequency tolerance (Hz)	± 5%
Voltage regulation	capacitor
Starter battery	12 V (Optional)
Battery charge current	auxiliary winding 4 A
Alternator	water-cooled, no brushes, synchronous
Sound level <sup>4)</sup>	58 dBA

### SPECIFICATIONS DIESEL ENGINE

Engine model	OC60
Number of cylinders	1
Cylinder capacity	276 cc
Bore & stroke	72 x 68 mm
Air consumption	0.38 m <sup>3</sup> /min
Engine cooling	oil-cooled
Fuel consumption (no load - full load)	0.7-1.2 l/hour

### REMOTE CONTROL FOR WHISPER GENERATOR

40209102	DDC panel: Digital Diesel Control, standard for every Whisper generator	standard
40209102	Additional 2nd panel: DDC panel/slave version for second start/stop location See page 73 for optional displays, controls and pc-link	

### ACCESSORIES & OPTIONS

40201321	Radiator cooling kit engine/alternator	
40201320	Dry exhaust kit 1"	See page 61
40230205	Fuel kit	See page 27

<sup>2)</sup> peak power 200%   <sup>3)</sup> 120 V / 50 or 60 Hz available as well   <sup>4)</sup> at 7 mtrs

### DIMENSIONS & WEIGHT

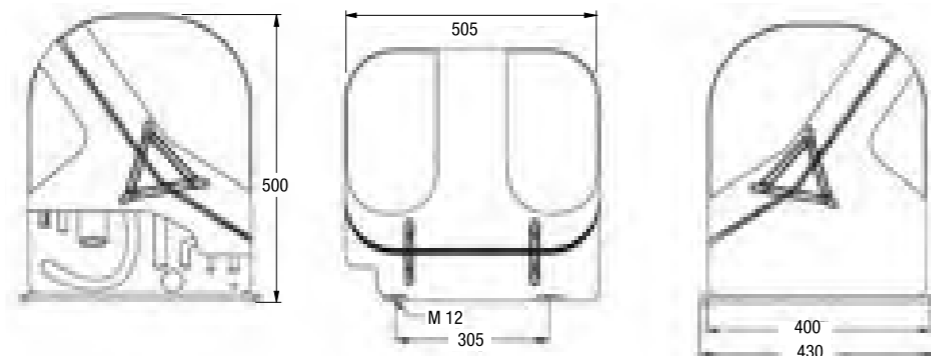
Length:	505 mm
Width:	400 mm
Height:	500 mm
Dry weight:	97 kg
Dry exhaust pipe:	Ø 1 inch BSP

Location oil refill cap: top & side  
Max. operating angle: 25° in all directions



smart energy solutions

### INSTALLATION DRAWING W-SC 3



# W-SC 6 Diesel generator 3.000 RPM Super Compact series



DDC control panel 'Digital Diesel Control', supplied as standard with all sets



Optional: Polyester sound shield

## Art. no.

41102020 W-SC 6 230 V / 50 Hz <sup>1)</sup>

### MAIN SPECIFICATIONS

Nominal power <sup>2)</sup>	5 kW at 3.000 RPM
Nominal voltage <sup>3)</sup>	230 V - 22 A
Output frequency	50 Hz
Power factor / cos phi	1
Voltage tolerance <sup>4)</sup>	± 5%
Frequency tolerance (Hz) <sup>4)</sup>	± 1%
Voltage regulation	capacitor
Starter battery	12 V (Optional)
Battery charge current	alternator 40 A
Alternator	water-cooled, no brushes, synchronous
Sound level <sup>5)</sup>	56 dBA

### SPECIFICATIONS DIESEL ENGINE

Engine model	L2E
Number of cylinders	2
Cylinder capacity	635 cc
Bore & stroke	2 x 76 x 70 mm
Air consumption	0.95 m <sup>3</sup> /min
Engine cooling	water-cooled
Fuel consumption (no load - full load)	1-2.5 l/hour

### REMOTE CONTROL FOR WHISPER GENERATOR

40209102	DDC panel: Digital Diesel Control, standard for every Whisper generator	standard
40209102	Additional 2nd panel: DDC panel/slave version for second start/stop location See page 73 for optional displays, controls and pc-link	

### ACCESSORIES & OPTIONS

40230626	TOP-COOL radiator	See page 60
40201879	Radiator cooling kit engine	See page 59
40201878	Radiator cooling kit alternator	See page 59
40201882	Fan control kit	
40230610	WATERHUSH exhaust system	See page 61
40201320	Dry exhaust kit 1"	See page 61
40230205	Fuel kit	See page 27

<sup>1)</sup> Polyester version optional   <sup>2)</sup> peak power 200%   <sup>3)</sup> 120 V / 50 or 60 Hz available as well   <sup>4)</sup> controlled by electronic governor   <sup>5)</sup> at 7 mtrs

### DIMENSIONS & WEIGHT

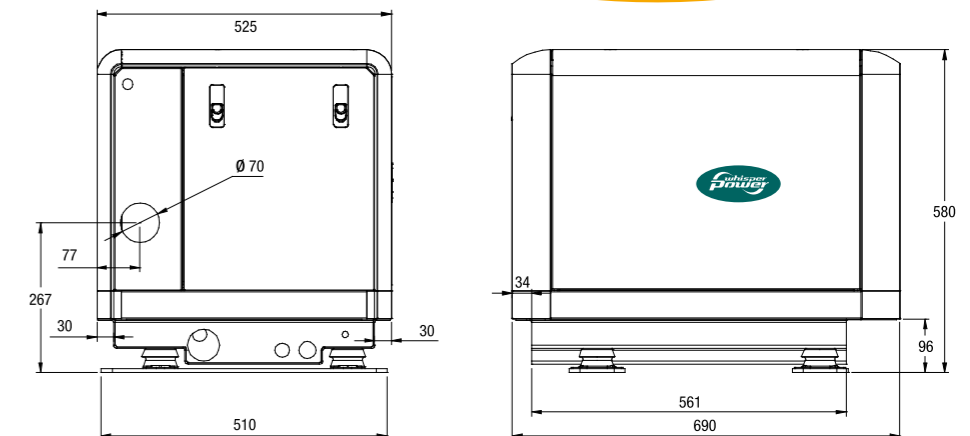
Length:	690 mm
Width:	525 mm
Height:	580 mm
Dry weight:	184 kg
Dry exhaust pipe:	Ø 1 inch BSP

Location oil refill cap: top & side  
Max. operating angle: 25° in all directions



smart energy solutions

### INSTALLATION DRAWING W-SC 6



# W-SC 10 Diesel generator 3.000 RPM Super Compact series



DDC control panel 'Digital Diesel Control', supplied as standard with all sets



Optional: Polyester sound shield

## Art. no.

41104020 W-SC 10 230 V / 50 Hz

## MAIN SPECIFICATIONS

Nominal power <sup>2)</sup>	9 kW at 3.000 RPM
Nominal voltage <sup>3)</sup>	230 V - 39 A
Output frequency	50 Hz
Power factor / cos phi	1
Voltage tolerance <sup>4)</sup>	± 5%
Frequency tolerance (Hz) <sup>4)</sup>	± 1%
Voltage regulation	capacitor
Starter battery	12 V (Optional)
Battery charge current	alternator 40 A
Alternator	water-cooled, no brushes, synchronous
Sound level <sup>5)</sup>	59 dBA

## SPECIFICATIONS DIESEL ENGINE

Engine model	L3E
Number of cylinders	3
Cylinder capacity	952 cc
Bore & stroke	3 x 76 x 70 mm
Air consumption	1.43 m <sup>3</sup> /min
Engine cooling	water-cooled
Fuel consumption (no load - full load)	1-4 l/hour

## REMOTE CONTROL FOR WHISPER GENERATOR

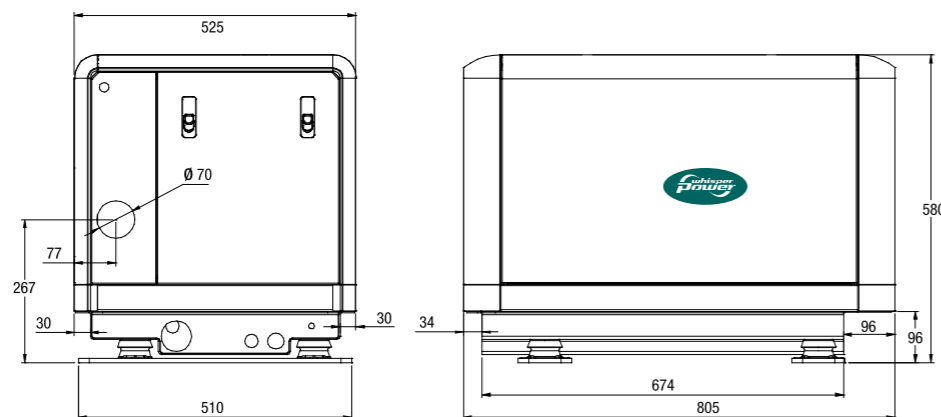
40209102	DDC panel: Digital Diesel Control, standard for every Whisper generator	standard
40209102	Additional 2nd panel: DDC panel/slave version for second start/stop location	
	See page 73 for optional displays, controls and pc-link	

## ACCESSORIES & OPTIONS

40230627	TOP-COOL radiator	See page 60
40201864	Radiator cooling kit engine	See page 59
40201878	Radiator cooling kit alternator	See page 59
40201882	Fan control kit	
40230610	WATERHUSH exhaust system	See page 61
40201375	Dry exhaust kit 1 1/2"	See page 61
40230205	Fuel kit	See page 27

<sup>2)</sup> peak power 200% <sup>3)</sup> 120 V / 50 or 60 Hz available as well <sup>4)</sup> controlled by electronic governor <sup>5)</sup> at 7 mtrs

## INSTALLATION DRAWING W-SC 10



## DIMENSIONS & WEIGHT

Length:	805 mm
Width:	525 mm
Height:	580 mm
Dry weight:	215 kg
Dry exhaust pipe:	Ø 1.5 inch BSP

Location oil refill cap:	top & side
Max. operating angle:	25° in all directions



smart energy solutions

# W-SC 15 Diesel generator 3.000 RPM Super Compact series



DDC control panel 'Digital Diesel Control', supplied as standard with all sets

## Art. no.

41306020 W-SC 15 230 V / 50 Hz

available from Q2-2012

## MAIN SPECIFICATIONS

Nominal power <sup>2)</sup>	15 kW at 3.000 RPM
Nominal voltage <sup>3)</sup>	230 V - 65 A
Output frequency	50 Hz
Power factor / cos phi	1
Voltage tolerance <sup>4)</sup>	± 2%
Frequency tolerance (Hz) <sup>4)</sup>	± 1%
Voltage regulation	capacitor
Starter battery	12 V (Optional)
Battery charge current	alternator 50 A
Alternator	air-cooled, no brushes, synchronous
Sound level <sup>5)</sup>	61 dBA

## SPECIFICATIONS DIESEL ENGINE

Engine model	S3L2
Number of cylinders	3
Cylinder capacity	1318 cc
Bore & stroke	3 x 78 x 92 mm
Air consumption	2.2 m <sup>3</sup> /min
Engine cooling	water-cooled
Fuel consumption (no load - full load)	1-5 l/hour

## REMOTE CONTROL FOR WHISPER GENERATOR

40209102	DDC panel: Digital Diesel Control, standard for every Whisper generator	standard
40209102	Additional 2nd panel: DDC panel/slave version for second start/stop location	
	See page 73 for optional displays, controls and pc-link	

## ACCESSORIES & OPTIONS

	3-phase 3 x 230/400 VAC output	Optional
	Power take off for hydraulics (p.t.o.)	Optional
40230631	TOP-COOL radiator	See page 60
40201877	Radiator cooling kit engine	See page 59
40201882	Fan control kit	
40230610	WATERHUSH exhaust system	See page 61
40201875	Dry exhaust kit 1 1/2"	See page 61
40230205	Fuel kit	See page 27

<sup>2)</sup> peak power 200% <sup>3)</sup> 120 V / 50 or 60 Hz available as well <sup>4)</sup> controlled by electronic governor <sup>5)</sup> at 7 mtrs

## DIMENSIONS & WEIGHT

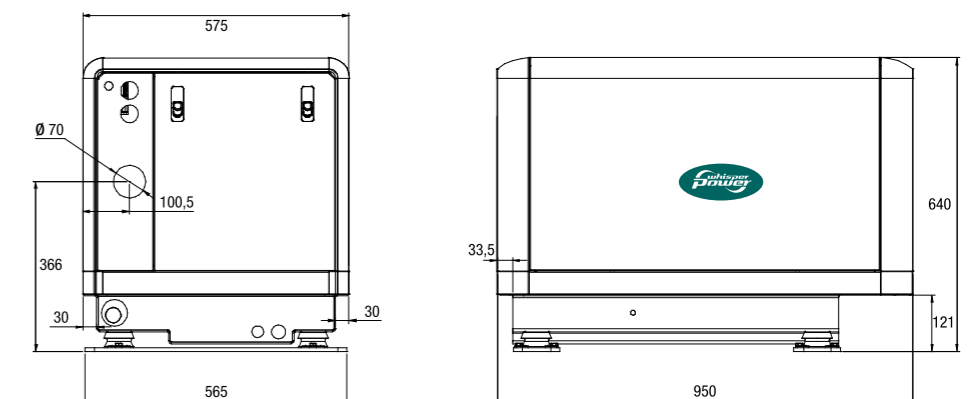
Length:	950 mm
Width:	575 mm
Height:	640 mm
Dry weight:	334 kg
Dry exhaust pipe:	Ø 1.5 inch BSP

Location oil refill cap:	top & side
Max. operating angle:	25° in all directions



smart energy solutions

## INSTALLATION DRAWING W-SC 15



# W-SC 20 Diesel generator 3.000 RPM Super Compact series



DDC control panel 'Digital Diesel Control', supplied as standard with all sets

## Art. no.

41307020 W-SC 20 230 V / 50 Hz

available from Q2-2012

## MAIN SPECIFICATIONS

Nominal power <sup>2)</sup>	20 kW at 3.000 RPM
Nominal voltage <sup>3)</sup>	230 V - 86 A
Output frequency <sup>3)</sup>	50 Hz
Power factor / cos phi	1
Voltage tolerance <sup>4)</sup>	± 2%
Frequency tolerance (Hz) <sup>4)</sup>	± 1%
Voltage regulation	AVR
Starter battery	12 V (Optional)
Battery charge current	alternator 50 A
Alternator	air-cooled, no brushes, synchronous
Sound level <sup>5)</sup>	62 dBA

## SPECIFICATIONS DIESEL ENGINE

Engine model	S4L2
Number of cylinders	4
Cylinder capacity	1758 cc
Bore & stroke	4 x 78 x 92 mm
Air consumption	3 m <sup>3</sup> /min
Engine cooling	water-cooled
Fuel consumption (no load - full load)	1-6 l/hour

## REMOTE CONTROL FOR WHISPER GENERATOR

40209102	DDC panel: Digital Diesel Control, standard for every Whisper generator	standard
40209102	Additional 2nd panel: DDC panel/slave version for second start/stop location	
	See page 73 for optional displays, controls and pc-link	

## ACCESSORIES & OPTIONS

	3-phase 3 x 230/400 VAC output	Optional
	Power take off for hydraulics (p.t.o.)	Optional
40230632	TOP-COOL radiator	See page 60
40201877	Radiator cooling kit engine	See page 59
40201882	Fan control kit	
40230611	WATERHUSH exhaust system	See page 61
40201875	Dry exhaust kit 1 1/2"	See page 61
40230205	Fuel kit	See page 27

<sup>2)</sup> peak power 200%   <sup>3)</sup> 120 V / 50 or 60 Hz available as well   <sup>4)</sup> controlled by electronic governor   <sup>5)</sup> at 7 mtrs

## DIMENSIONS & WEIGHT

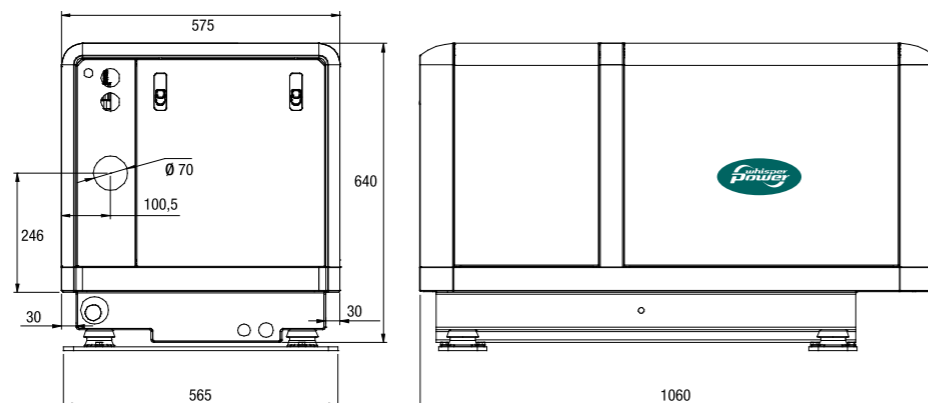
Length:	1060 mm
Width:	575 mm
Height:	640 mm
Dry weight:	380 kg
Dry exhaust pipe:	Ø 1.5 inch BSP

Location oil refill cap: top & side  
Max. operating angle: 25° in all directions



smart energy solutions

## INSTALLATION DRAWING W-SC 20



# W-SQ 6 Diesel generator 1.500 RPM Super Quiet series



DDC control panel 'Digital Diesel Control', supplied as standard with all sets

## Art. no.

41105020 W-SQ 6 230 V / 50 Hz

## MAIN SPECIFICATIONS

Nominal power <sup>2)</sup>	5 kW at 1.500 RPM
Nominal voltage <sup>3)</sup>	230 V - 22 A
Output frequency <sup>3)</sup>	50 Hz
Power factor / cos phi	1
Voltage tolerance <sup>4)</sup>	± 5%
Frequency tolerance (Hz) <sup>4)</sup>	± 1%
Voltage regulation	capacitor
Starter battery	12 V (Optional)
Battery charge current	alternator 40 A
Alternator	water-cooled, no brushes, synchronous
Sound level <sup>5)</sup>	51 dBA

## SPECIFICATIONS DIESEL ENGINE

Engine model	L3E
Number of cylinders	3
Cylinder capacity	952 cc
Bore & stroke	3 x 76 x 70 mm
Air consumption	0.8 m <sup>3</sup> /min
Engine cooling	water-cooled
Fuel consumption (no load - full load)	1-3 l/hour

## REMOTE CONTROL FOR WHISPER GENERATOR

40209102	DDC panel: Digital Diesel Control, standard for every Whisper generator	standard
40209102	Additional 2nd panel: DDC panel/slave version for second start/stop location	
	See page 73 for optional displays, controls and pc-link	

## ACCESSORIES & OPTIONS

40230626	TOP-COOL radiator	See page 60
40201879	Radiator cooling kit engine	See page 59
40201878	Radiator cooling kit alternator	See page 59
40201882	Fan control kit	
40230610	WATERHUSH exhaust system	See page 61
40201875	Dry exhaust kit 1 1/2"	See page 61
40230205	Fuel kit	See page 27

<sup>2)</sup> peak power 200%   <sup>3)</sup> 120 V / 50 or 60 Hz available as well   <sup>4)</sup> controlled by electronic governor   <sup>5)</sup> at 7 mtrs

## DIMENSIONS & WEIGHT

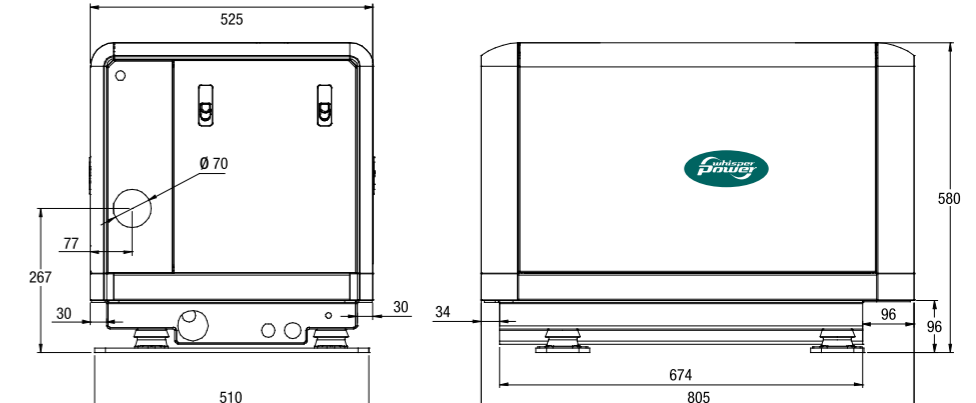
Length:	805 mm
Width:	525 mm
Height:	580 mm
Dry weight:	240 kg
Dry exhaust pipe:	Ø 1.5 inch BSP

Location oil refill cap: top & side  
Max. operating angle: 25° in all directions



smart energy solutions

## INSTALLATION DRAWING W-SQ 6



# W-SQ 8 Diesel generator 1.500 RPM Super Quiet series



DDC control panel 'Digital Diesel Control', supplied as standard with all sets

## Art. no.

41106020 W-SQ 8 230 V / 50 Hz

### MAIN SPECIFICATIONS

Nominal power <sup>2)</sup>	8 kW at 1.500 RPM
Nominal voltage <sup>3)</sup>	230 V - 35 A
Output frequency <sup>3)</sup>	50 Hz
Power factor / cos phi	1
Voltage tolerance <sup>4)</sup>	± 5%
Frequency tolerance (Hz) <sup>4)</sup>	± 1%
Voltage regulation	capacitor
Starter battery	12 V (Optional)
Battery charge current	alternator 50 A
Alternator	water-cooled, no brushes, synchronous
Sound level <sup>5)</sup>	54 dBA

### SPECIFICATIONS DIESEL ENGINE

Engine model	S3L2
Number of cylinders	3
Cylinder capacity	1318 cc
Bore & stroke	3 x 78 x 92 mm
Air consumption	1.1 m <sup>3</sup> /min
Engine cooling	water-cooled
Fuel consumption (no load - full load)	1-3 l/hour

### REMOTE CONTROL FOR WHISPER GENERATOR

40209102	DDC panel: Digital Diesel Control, standard for every Whisper generator	standard
40209102	Additional 2nd panel: DDC panel/slave version for second start/stop location	
	See page 73 for optional displays, controls and pc-link	

### ACCESSORIES & OPTIONS

	3-phase 3 x 230/400 VAC output	Optional
	Power take off for hydraulics (p.t.o.)	Optional
40230628	TOP-COOL radiator	See page 60
40201864	Radiator cooling kit engine	See page 59
40201878	Radiator cooling kit alternator	See page 59
40201882	Fan control kit	
40230611	WATERHUSH exhaust system	See page 61
40201875	Dry exhaust kit 1 1/2"	See page 61
40230205	Fuel kit	See page 27

<sup>2)</sup> peak power 200%   <sup>3)</sup> 120 V / 50 or 60 Hz available as well   <sup>4)</sup> controlled by electronic governor   <sup>5)</sup> at 7 mtrs

### DIMENSIONS & WEIGHT

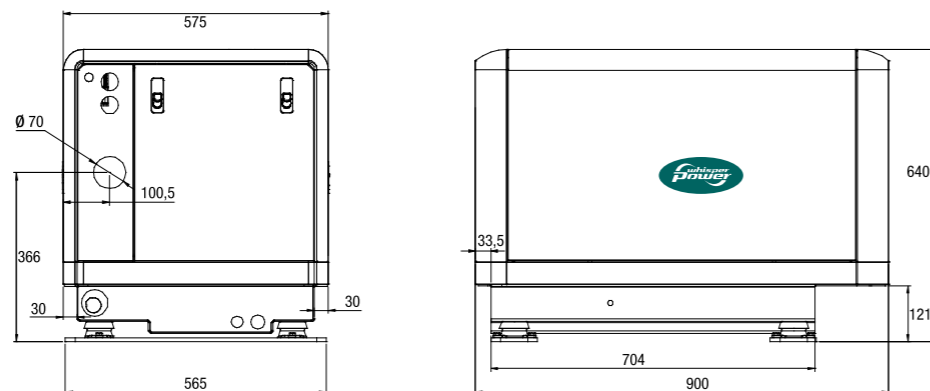
Length:	900 mm
Width:	575 mm
Height:	640 mm
Dry weight:	334 kg
Dry exhaust pipe:	Ø 1.5 inch BSP

Location oil refill cap:	top & side
Max. operating angle:	25° in all directions



smart energy solutions

### INSTALLATION DRAWING W-SQ 8



# W-SQ 12 Diesel generator 1.500 RPM Super Quiet series



DDC control panel 'Digital Diesel Control', supplied as standard with all sets

## Art. no.

41107020 W-SQ 12 230 V / 50 Hz

### MAIN SPECIFICATIONS

Nominal power <sup>2)</sup>	12 kW at 1.500 RPM
Nominal voltage <sup>3)</sup>	230 V - 52 A
Output frequency <sup>3)</sup>	50 Hz
Power factor / cos phi	1
Voltage tolerance <sup>4)</sup>	± 5%
Frequency tolerance (Hz) <sup>4)</sup>	± 1%
Voltage regulation	capacitor
Starter battery	12 V (Optional)
Battery charge current	alternator 50 A
Alternator	water-cooled, no brushes, synchronous
Sound level <sup>5)</sup>	55 dBA

### SPECIFICATIONS DIESEL ENGINE

Engine model	S4L2
Number of cylinders	4
Cylinder capacity	1758 cc
Bore & stroke	4 x 78 x 92 mm
Air consumption	1.5 m <sup>3</sup> /min
Engine cooling	water-cooled
Fuel consumption (no load - full load)	1-4 l/hour

### REMOTE CONTROL FOR WHISPER GENERATOR

40209102	DDC panel: Digital Diesel Control, standard for every Whisper generator	standard
40209102	Additional 2nd panel: DDC panel/slave version for second start/stop location	
	See page 73 for optional displays, controls and pc-link	

### ACCESSORIES & OPTIONS

	3-phase 3 x 230/400 VAC output	Optional
	Power take off for hydraulics (p.t.o.)	Optional
40230629	TOP-COOL radiator	See page 60
40201877	Radiator cooling kit engine	See page 59
40201878	Radiator cooling kit alternator	See page 59
40201882	Fan control kit	
40230611	WATERHUSH exhaust system	See page 61
40201875	Dry exhaust kit 1 1/2"	See page 61
40230205	Fuel kit	See page 27

<sup>2)</sup> peak power 200%   <sup>3)</sup> 120 V / 50 or 60 Hz available as well   <sup>4)</sup> controlled by electronic governor   <sup>5)</sup> at 7 mtrs

### DIMENSIONS & WEIGHT

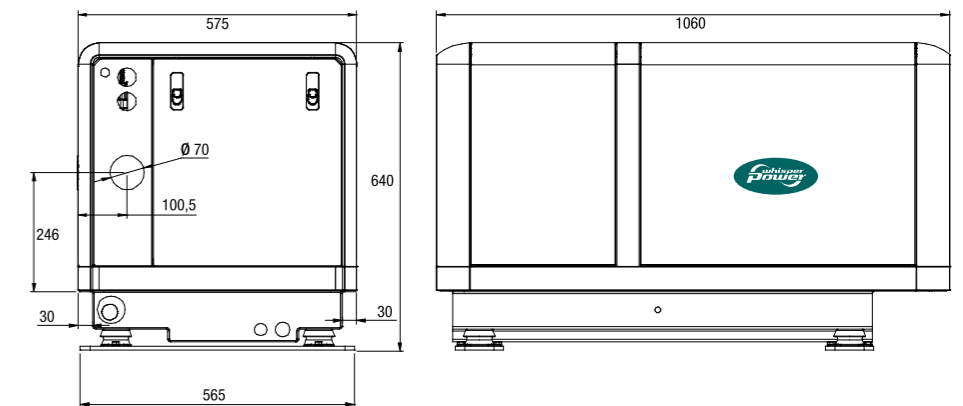
Length:	1060 mm
Width:	575 mm
Height:	640 mm
Dry weight:	380 kg
Dry exhaust pipe:	Ø 1.5 inch BSP

Location oil refill cap:	top & side
Max. operating angle:	25° in all directions



smart energy solutions

### INSTALLATION DRAWING W-SQ 12



# W-SQ 16 Diesel generator 1.500 RPM Super Quiet series



DDC control panel 'Digital Diesel Control', supplied as standard with all sets

## Art. no.

41108020 W-SQ 16 230 V / 50 Hz

## MAIN SPECIFICATIONS

Nominal power <sup>2)</sup>	16 kW at 1.500 RPM
Nominal voltage <sup>3)</sup>	230 V - 70 A
Output frequency	50 Hz
Power factor / cos phi	1
Voltage tolerance	± 5%
Frequency tolerance (Hz)	± 3%
Voltage regulation	capacitor
Starter battery	12 V (Optional)
Battery charge current	alternator 50 A
Alternator	water-cooled, no brushes, synchronous
Sound level <sup>4)</sup>	56 dBA

## SPECIFICATIONS DIESEL ENGINE

Engine model	S4Q2
Number of cylinders	4
Cylinder capacity	2505 cc
Bore & stroke	4 x 88 x 103 mm
Air consumption	2.1 m <sup>3</sup> /min
Engine cooling	water-cooled
Fuel consumption (no load - full load)	1-5 l/hour

## REMOTE CONTROL FOR WHISPER GENERATOR

40209102	DDC panel: Digital Diesel Control, standard for every Whisper generator	standard
40209102	Additional 2nd panel: DDC panel/slave version for second start/stop location	
	See page 73 for optional displays, controls and pc-link	

## ACCESSORIES & OPTIONS

	3-phase 3 x 230/400 VAC output	Optional
	Power take off for hydraulics (p.t.o.)	Optional
40230630	TOP-COOL radiator	See page 60
40201877	Radiator cooling kit engine	See page 59
40201888	Radiator cooling kit alternator	See page 59
40201882	Fan control kit	
40230612	WATERHUSH exhaust system	See page 61
40201875	Dry exhaust kit 1 1/2"	See page 61
40230205	Fuel kit	See page 27

<sup>2)</sup> peak power 200%   <sup>3)</sup> 120 V / 50 or 60 Hz available as well   <sup>4)</sup> at 7 mtrs

## DIMENSIONS & WEIGHT

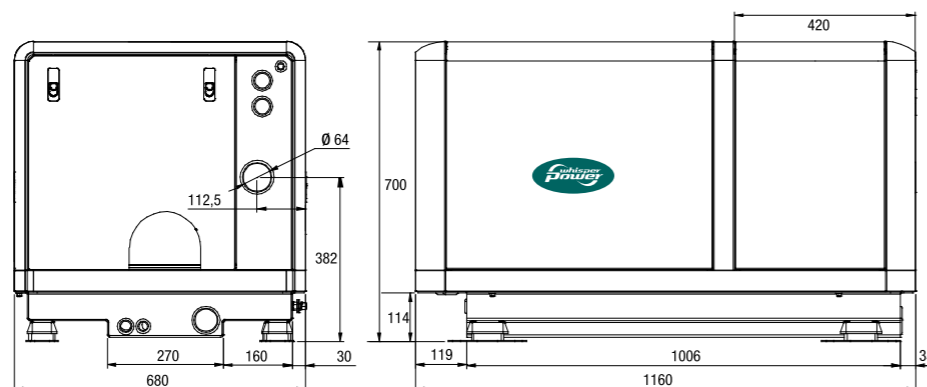
Length:	1160 mm
Width:	680 mm
Height:	700 mm
Dry weight:	454 kg
Dry exhaust pipe:	Ø 1.5 inch BSP

Location oil refill cap: top  
Max. operating angle: 25° in all directions



smart energy solutions

## INSTALLATION DRAWING W-SQ 16



# W-SQ 20 Diesel generator 1.500 RPM Super Quiet series



DDC control panel 'Digital Diesel Control', supplied as standard with all sets

## Art. no.

41101220 W-SQ 20 230 V / 50 Hz

## MAIN SPECIFICATIONS

Nominal power <sup>2)</sup>	20 kW at 1.500 RPM
Nominal voltage <sup>3)</sup>	230 V - 87 A
Output frequency	50 Hz
Power factor / cos phi	1
Voltage tolerance	± 2%
Frequency tolerance (Hz)	± 3%
Voltage regulation	AVR
Starter battery	12 V (Optional)
Battery charge current	alternator 50 A
Alternator	air-cooled, no brushes, synchronous
Sound level <sup>4)</sup>	58 dBA

## SPECIFICATIONS DIESEL ENGINE

Engine model	S4S
Number of cylinders	4
Cylinder capacity	3331 cc
Bore & stroke	4 x 94 x 120 mm
Air consumption	2.8 m <sup>3</sup> /min
Engine cooling	water-cooled
Fuel consumption (no load - full load)	1-6 l/hour

## REMOTE CONTROL FOR WHISPER GENERATOR

40209102	DDC panel: Digital Diesel Control, standard for every Whisper generator	standard
40209102	Additional 2nd panel: DDC panel/slave version for second start/stop location	
	See page 73 for optional displays, controls and pc-link	

## ACCESSORIES & OPTIONS

	3-phase 3 x 400 VAC output	Optional
	Power take off for hydraulics (p.t.o.)	Optional
40230632	TOP-COOL radiator	See page 60
40201897	Radiator cooling kit engine	See page 59
40201889	Dry exhaust kit 2"	See page 59
40230205	Fuel kit	See page 27

<sup>2)</sup> peak power 200%   <sup>3)</sup> 120 V / 50 or 60 Hz available as well   <sup>4)</sup> at 7 mtrs

## DIMENSIONS & WEIGHT

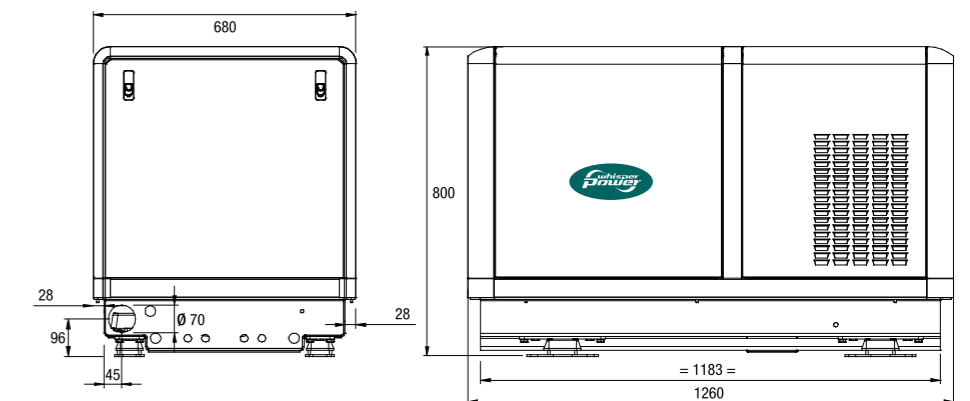
Length:	1260 mm
Width:	680 mm
Height:	800 mm
Dry weight:	580 kg
Dry exhaust pipe:	Ø 2 inch BSP

Location oil refill cap: top  
Max. operating angle: 25° in all directions



smart energy solutions

## INSTALLATION DRAWING W-SQ 20



# W-SQ 25 Diesel generator 1.500 RPM Super Quiet series



DDC control panel 'Digital Diesel Control', supplied as standard with all sets

## Art. no.

41101020 W-SQ 25 230 V / 50 Hz

## MAIN SPECIFICATIONS

Nominal power <sup>2)</sup>	25 kW at 1.500 RPM
Nominal voltage <sup>3)</sup>	230 V - 108 A
Output frequency <sup>3)</sup>	50 Hz
Power factor / cos phi	1
Voltage tolerance	± 2%
Frequency tolerance (Hz)	± 3%
Voltage regulation	AVR
Starter battery	12 V (Optional)
Battery charge current	alternator 50 A
Alternator	air-cooled, no brushes, synchronous
Sound level <sup>4)</sup>	58 dBA

## SPECIFICATIONS DIESEL ENGINE

Engine model	S4S
Number of cylinders	4
Cylinder capacity	3331 cc
Bore & stroke	4 x 94 x 120 mm
Air consumption	2.8 m <sup>3</sup> /min
Engine cooling	water-cooled
Fuel consumption (no load - full load)	1-8 l/hour

## REMOTE CONTROL FOR WHISPER GENERATOR

40209102	DDC panel: Digital Diesel Control, standard for every Whisper generator	standard
40209102	Additional 2nd panel: DDC panel/slave version for second start/stop location	
	See page 73 for optional displays, controls and pc-link	

## ACCESSORIES & OPTIONS

	3-phase 3 x 230/400 VAC output	Optional
	Power take off for hydraulics (p.t.o.)	Optional
40230632	TOP-COOL radiator	See page 60
40201897	Radiator cooling kit engine	See page 59
40201889	Dry exhaust kit 2"	See page 59
40230205	Fuel kit	See page 27

<sup>2)</sup> peak power 200%   <sup>3)</sup> 120 V / 50 or 60 Hz available as well   <sup>4)</sup> at 7 mtrs

## DIMENSIONS & WEIGHT

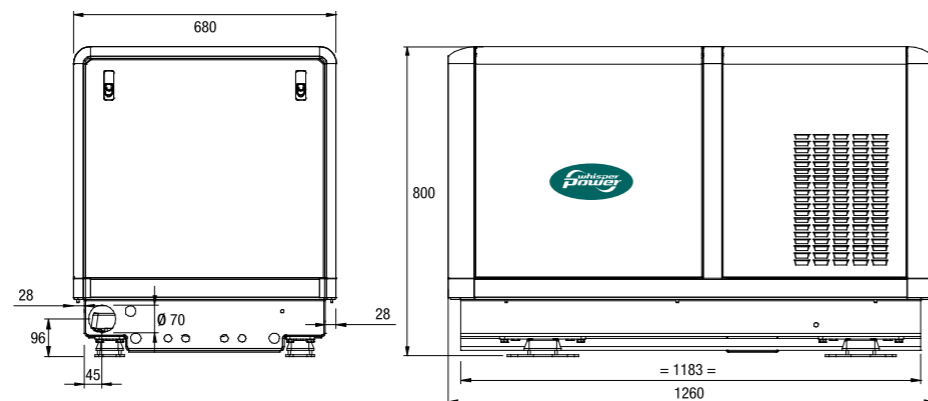
Length:	1260 mm
Width:	680 mm
Height:	800 mm
Dry weight:	580 kg
Dry exhaust pipe:	Ø 2 inch BSP

Location oil refill cap:	top
Max. operating angle:	25° in all directions



smart energy solutions

## INSTALLATION DRAWING W-SQ 25

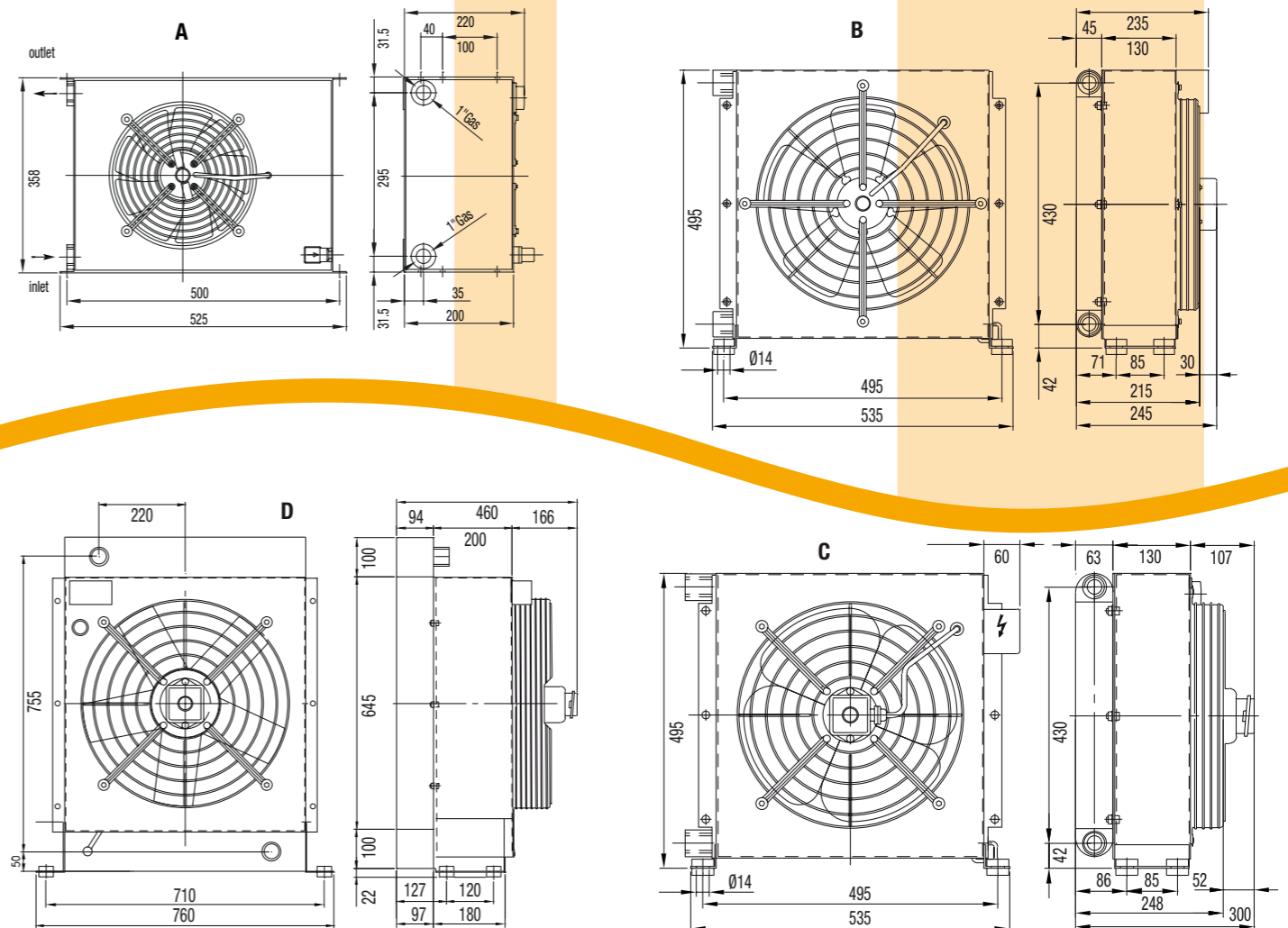


# Radiator Cooling kits



Radiator Cooling kit, including expansion tank.

## INSTALLATION DRAWINGS RADIATOR COOLING KITS



## Art. no.

### RADIATOR COOLING KITS - SIDE COOLING

40201321	Radiator cooling kit alternator for	W-SC 3
40201878	Radiator cooling kit alternator for	W-SC 6, W-SC 10
		W-SQ 6, W-SQ 8, W-SQ 12 (drawing A)
40201888	Radiator cooling kit alternator for	W-SQ 16 (drawing B)
40201879	Radiator cooling kit engine for	W-SC 6 and W-SQ 6 (drawing A)
40201864	Radiator cooling kit engine for	W-SC 10 and W-SQ 8 (drawing B)
40201877	Radiator cooling kit engine for	W-SQ 12 and W-SQ 16 (drawing C)
40201897	Radiator cooling kit engine for	W-SQ 20 and W-SQ 25 (drawing D)
	(no radiator needed for the alternator)	

As an alternative of the TOP-COOL radiator system two separate radiator cooling kits for the diesel engine and the AC alternator can be installed.

## INSTALLATION EXAMPLE



# TOP-COOL Radiator system



WhisperPower TOP-COOL Radiator

Art. no.

## WHISPERPOWER TOP-COOL RADIATOR SYSTEM

This integrated roof mounted system is holding two radiators for cooling the WhisperPower generator. One radiator for the diesel engine and the other radiator is used for the cooling of the AC alternator.

The two expansion tanks are integrated in the system. The expansion tanks are always positioned at the right altitude: no room for installation mistakes any longer.

The system is made from high quality aluminium and is weather protected thanks to the anti corrosion treatment.

- 40230626 TOP-COOL Radiator for W-SC 6 and W-SQ 6
- 40230627 TOP-COOL Radiator for W-SC 10
- 40230628 TOP-COOL Radiator for W-SQ 8
- 40230629 TOP-COOL Radiator for W-SQ 12
- 40230630 TOP-COOL Radiator for W-SQ 16
- 40230631 TOP-COOL Radiator for W-SC 15, W-SQ 12 3ph, W-SQ 16 3ph
- 40230632 TOP-COOL Radiator for W-SC 20, W-SQ 20 and W-SQ 25

### TECHNICAL SPECIFICATIONS

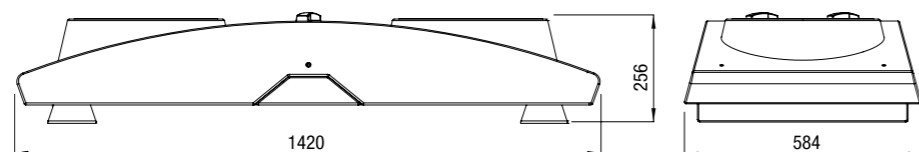
Voltage	230 VAC
Frequency	50/60Hz
Frame material	Aluminium, powder coated
Color	White (RAL9003)



### DIMENSIONS & WEIGHT

Length:	1420 mm
Width:	584 mm
Height:	256 mm
Total weight:	42-52 kg*
	* depending on type

### INSTALLATION DRAWING TOP-COOL



# Exhaust Systems



WhisperPower WATERHUSH exhaust system, mounted on a generator set

Art. no.

## WHISPERPOWER WATERHUSH® EXHAUST SYSTEM

This all-in-one exhaust system is available as a kit for mounting on the backside of the WhisperPower generator set. Thanks to the WATERHUSH exhaust system the exhaust gases will be cooled in such way that a rubber hose is sufficient to do the job.

- Advantages of the WhisperPower WATERHUSH exhaust system:
- Effective sound protection. Low noise and less vibrations thanks to the integrated silencers and the robust metal sound shield.
  - More space will be available inside the vehicle, thanks to the compact dimensions.
  - All-in-one exhaust system: less installation time. The system can be directly connected to a rubber exhaust hose.
  - Integrated water cooling of the exhaust fumes. No hot gases will leave the system.

- 40230610 WATERHUSH exhaust system for W-SC 6, W-SQ 6 and W-SC 10\*
- 40230611 WATERHUSH exhaust system for W-SQ 8 and W-SQ 12\*
- 40230612 WATERHUSH exhaust system for W-SQ 16\*

### DRY EXHAUST KIT

Although the WATERHUSH exhaust system is in most cases the best choice for installation in mobile vehicles, there are specific situations where the implementation of a Dry Exhaust kit is a good alternative.

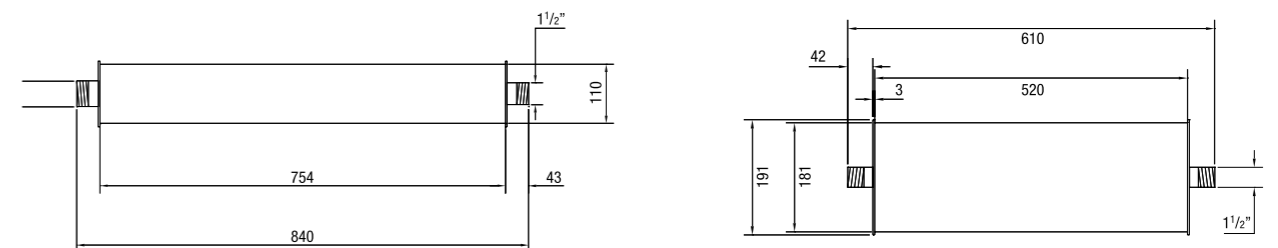
The Dry Exhaust kit contains two silencers: an absorption and a resonance muffler.

- 40201325 Dry exhaust kit 1" for W-GV 4 and W-GV 7i
- 40201320 Dry exhaust kit 1" for W-SC 6
- 40201875 Dry exhaust kit 1.5" for W-SC 10, W-SQ 6, W-SQ 8, W-SQ 12 and W-SQ 16
- 40201889 Dry exhaust kit 2" for W-SQ 25



Dry Exhaust kit

### INSTALLATION DRAWING ABSORPTION MUFFLER / RESONANCE MUFFLER 1.5 INCH



\* Available 2012

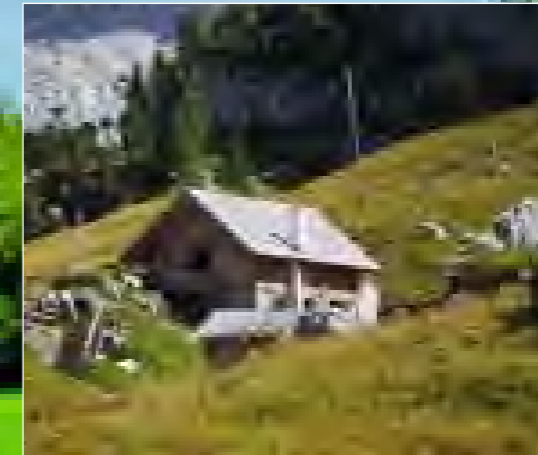


smart energy solutions



smart energy solutions

# off-grid Smart energy solutions



For locations without a (reliable) power grid, or one you can depend on, WhisperPower offers the perfect solution. We can provide a suitable energy supply with a generator system that is efficient and silent, where required linked to other sources such as an existing solar system or in combination with wind energy.



smart energy solutions



# W-TG 3000

## Portable diesel generator



Compact and complete



Ready-to-use:  
2 sockets for 230V / 50 Hz.

### Art. nr.

41401001 W-TG 3000

## TRANSPORTABLE DIESEL GENERATOR W-TG 3000

The WhisperPower transportable generator is fully self contained (fuel tank, starter battery, exhaust) and is ready to use "out of the box" Being less quieter than our standard watercooled generator systems, the W-TG 3000 complies with CE regulations for use of transportable machinery in public area's: 2000/14/CE.

Standard features: Automatic air bleeding mechanism, AC Voltmeter, AC circuit breakers, additional DC output, DC over current protection, extra large fuel tank with fuel gauge, large capacity exhaust silencer, starter battery.

### GENERATOR SPECIFICATIONS

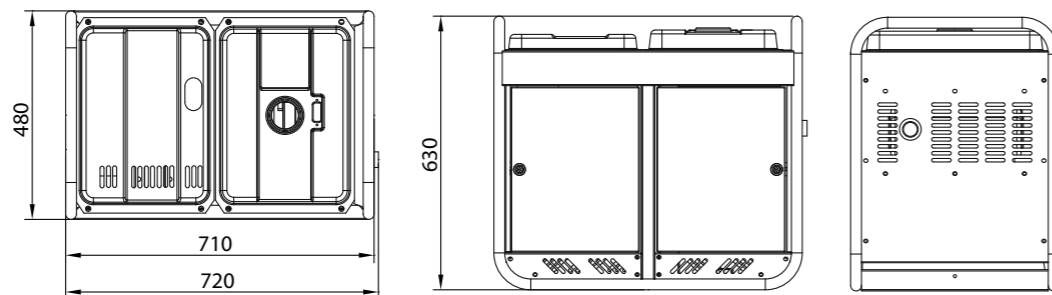
Continuous power	2,8 kW (at power factor cos phi = 1.0)
Maximum power	3 kW
Nominal voltage	230 V
Nominal frequency	50 Hz ±
Maximum current	13 Amps
Nominal speed	3000 rpm
Voltage regulation	AVR
DC output	12 V / 8,3 Amps
Running time at full tank	12 hours @ 1kW

### ENGINE SPECIFICATIONS

Engine	1 cylinder, 4 stroke, air cooled direct injection, diesel engine
Continuous power	5 HP
Bore and stroke	78 x 64 mm
Displacement	306 cc
Cooling system	Forced air cooling
Lube oil capacity	1,1 Liter
Starting system	Electric
Starter battery	Included
Voltage regulation	AVR
Fuel tank capacity	12,5 Liter
Alarms	Low oil pressure alarm

### DIMENSIONS & WEIGHT

Length:	720 mm
Width:	480 mm
Height:	630 mm
Dry weight:	106 kg including starter battery



smart energy solutions

# W-GV 4 Basic

## Genverter

### Variable speed generator



W-GV 4 Basic, service side



DDC control panel 'Digital Diesel Control', supplied as standard with all sets

### DIMENSIONS & WEIGHT

Length:	630 mm
Width:	480 mm
Height:	520 mm
Dry weight:	92 kg
Dry exhaust pipe:	Ø 1 inch BSP



smart energy solutions

### Art. no.

41002000 W-GV 4 Basic

## AC SYSTEM SPECIFICATIONS

System output continuous	3.8 kW at max rpm
Max output power	36 A
Output voltage / frequency	230 V / 50 Hz <sup>1)</sup>
Harmonic distortion	< 5%
Parallel operation	max. 2 units

## ALTERNATOR SPECIFICATIONS

Type	Permanent Magnet Alternator (PM)
RPM range	2400-3600 rpm
Efficiency	94%

## ENGINE SPECIFICATIONS

Engine	WhisperPower
Cylinder	1
Capacity	300 cc
Engine cooling	oil-cooled / internal radiator
Fuel consumption (no load - full load)	0.8 - 1.5 l/hr
Starting	electrical
Starter battery	12 V / 55 Ah

## REMOTE CONTROL FOR GENVERTER BASIC

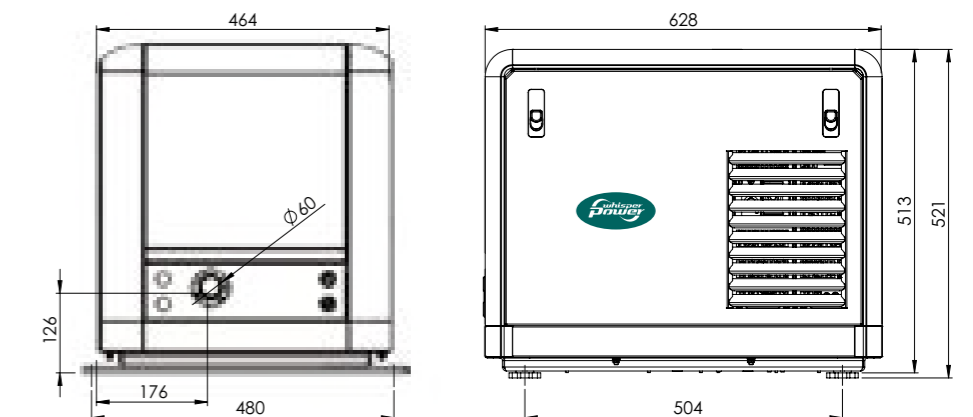
40209102	DDC panel: Digital Diesel Control, standard for every Whisper generator	standard
40209102	Additional 2nd panel: DDC panel/slave version for second start/stop location	
See page 73 for optional displays, controls and pc-link		

## ACCESSORIES FOR W-GV 4 BASIC, W-GV 4DC AND W-GV 7i

40201325	Kit (1")	dry exhaust
40230205	Fuel Kit	

<sup>1)</sup> 120 V / 60 Hz optional  
Available late 2011

## INSTALLATION DRAWING W-GV 4 BASIC



# W-GV 4DC Genverter DC generator variable speed



DC Generator / Battery charger



DDC control panel 'Digital Diesel Control', supplied as standard with all sets

## Art. no.

41003000 W-GV 4DC

available from Q4-2011

### DC SYSTEM SPECIFICATIONS

Input voltage (grid)	90 - 260 VAC
Input frequency (grid)	47 - 63 Hz
Battery voltage, nominal	24 VDC or 48 VDC
Battery charging current	150 A (adjustable) or 75 A / 48 VDC
Charge characteristic	3-step, IUoUo, temp. compensated

### ALTERNATOR SPECIFICATIONS

Type	Permanent Magnet Alternator (PM)
Continuous rated power 3000 rpm	3.3 kW
Efficiency	94%
RPM	variable speed or fixed

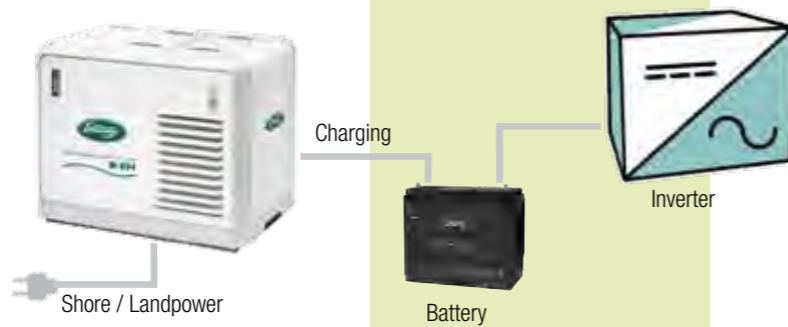
### ENGINE SPECIFICATIONS

Engine	WhisperPower
Cylinder	1
Capacity	300 cc
Engine cooling	radiator cooled
Fuel consumption (no load - full load)	0.8 - 1.5 l/hr
Starting	electrical
Starter battery	12 V / 55 Ah (optional)
12 V Batterycharger	included

### REMOTE CONTROL FOR GENVERTER 4DC GENERATOR

40209102 DDC panel: Digital Diesel Control, standard for every Whisper generator standard

### FOR ACCESSORIES SEE W-GV 4 BASIC (PAGE 65)



# W-GV 7i Genverter Hybrid generator variable speed



W-GV 7i  
Generator



Genverter W-GV 7i  
Genverter Power Centre  
(inverter/battery Charger)



Genverter W-GV 7i  
Monitoring & Control  
panel: Generator Control  
(DDC), Extended Inverter /  
Charger Control + Ah  
Counting.

## Art. no.

41004200 W-GV 7i 230 V / 3.8 kVA + 2.0 kVA 12 VDC Combi, dry exhaust

41004400 W-GV 7i 230 V / 3.8 kVA + 3.5 kVA 24 VDC Combi, dry exhaust

41004800 W-GV 7i 230 V / 3.8 kVA + 3.5 kVA 48 VDC Combi, dry exhaust

Variable speed	2400-3400 rpm
Combined system output	7 kW / 24/48 VDC, 5.8 kW / 12 V models
Generator power (running engine)	3.8 kW
Silent power (inverter mode)	2.0 kVA / 12 V, 3.5 kVA 24/48 VDC

### INVERTER / GENERATOR SPECIFICATIONS

Peak output AC	60.0 A
Nominal voltage AC	230 Vac
Nominal current AC (combined)	30.0 A
Nominal frequency AC	50.0 Hz
Thd nominal operation AC	<5%
Leading or lagging power factor	0,1 - 1
Parallel use (multiple systems)	Not possible
Capacity (starter) battery (AGM)	12 V 55 Ah
Starter battery charge current	10 A maintenance charger

### BATTERY CHARGER SPECIFICATIONS

Charge current	12V model 100A, 24V model 90A, 48V model 50A
Charge characteristic	3-step, IUoUo
AC Shorepower	190 - 260 Vac
Temperature sensor	Yes

### MECHANICAL SPECIFICATIONS

Cooling	radiator cooled
Max. Operation angle (in all directions)	25°
Temperature range operational	-20°C to 60°C
Relative humidity	Max. 95% relative humidity, none condensing
Remote control	Genverter 7i Control

### DIESEL ENGINE

Engine model	Whisper WP1
Number of cylinders	1
Cylinder capacity	300 cc
Air consumption	0.42 m³/min @3000rpm
Engine cooling	radiator cooled
Fuel consumption (no load-full load)	0.8-1.5 ltrs/hrs

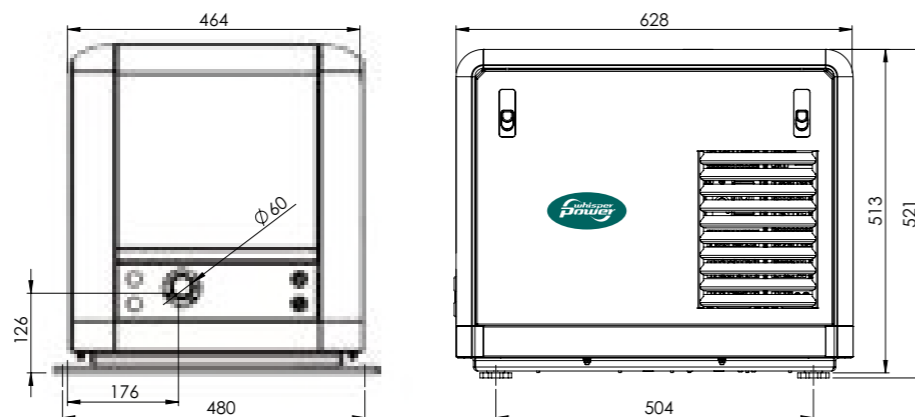
### FOR ACCESSORIES SEE W-GV 4 BASIC (PAGE 65)

1) Delivered with separate Combi inverter / charger cabinet  
HxWxD 500 x 316 x 360 mm Weight appr. 20 Kg.

### DIMENSIONS & WEIGHT

Length:	630 mm
Width:	480 mm
Height:	520 mm
Dry weight:	80 kg
Dry exhaust pipe:	Ø 1 inch BSP

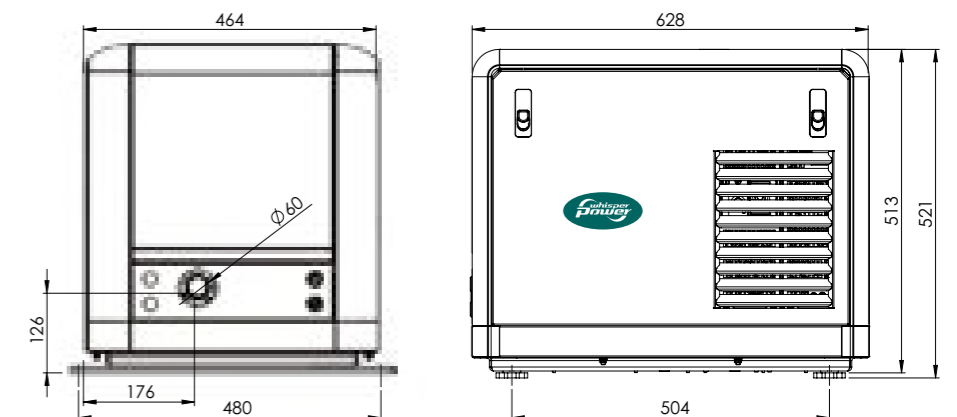
### INSTALLATION DRAWING W-GV 4DC



### DIMENSIONS & WEIGHT

Generator	Combi - enclosure
Length: 630 mm	500 mm
Width: 480 mm	360 mm
Height: 520 mm	300 mm
Dry weight: 92 kg	25 kg
Dry exhaust pipe: Ø 1 inch BSP inner thread	

### INSTALLATION DRAWING W-GV 7i



smart energy solutions



smart energy solutions



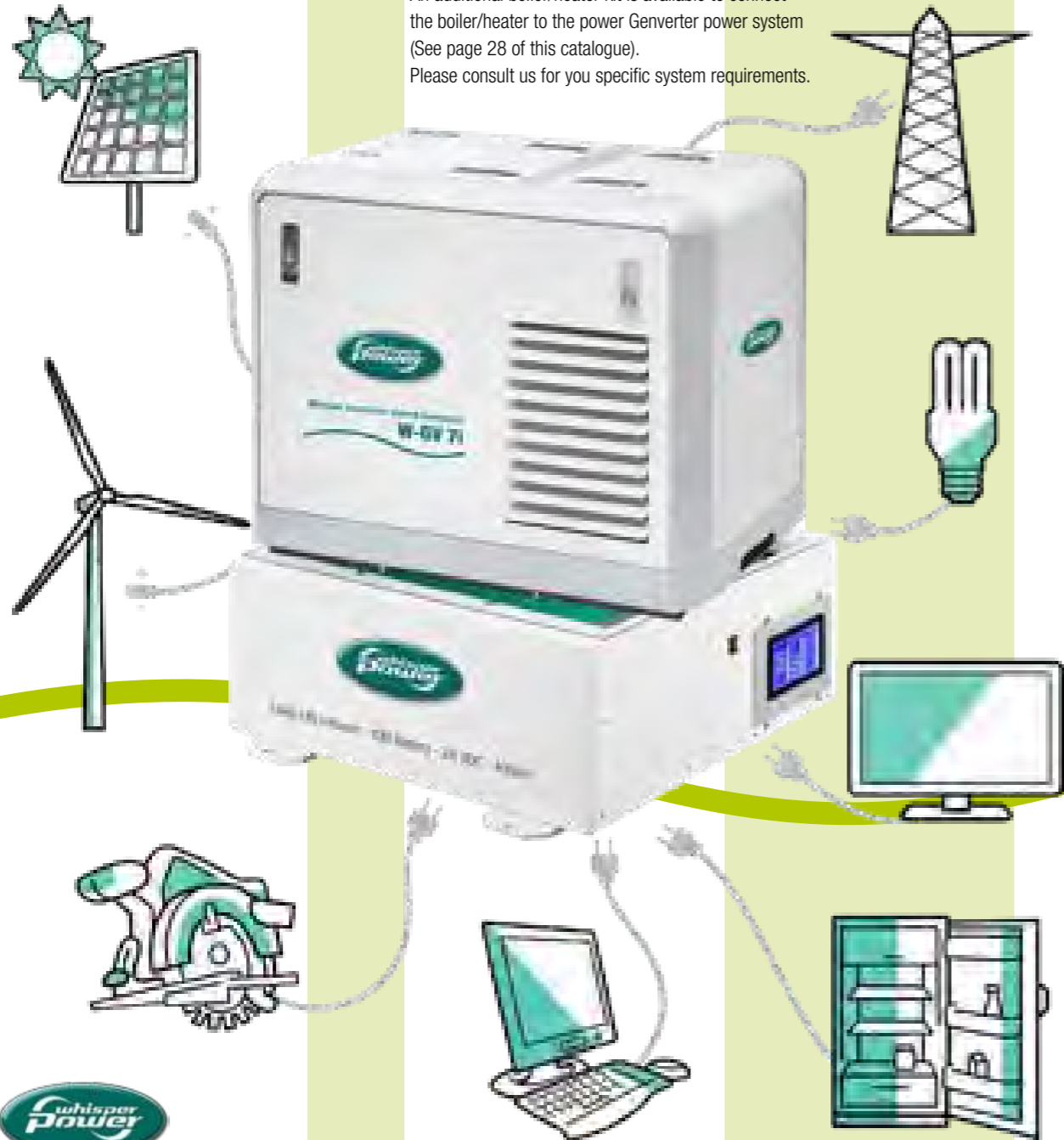
# W-GV 7i Genverter Hybrid generator variable speed

## COMBINED SOLAR/WIND/DIESEL SYSTEM

For applications with energy consumption of some 5 kWh per day (e.g. in homes for a family of four) like in cabins, chalets, private homes, remote communication sites and back up systems, the Genverter 7i plus Battery Pack is an ideal solution to provide AC and DC power during periods Wind and Solar power sources are insufficient powerful.

### KEY FEATURES OF SUCH SYSTEM:

Plug-and-play configuration with the following key components: maintenance free long life GEL, AGM or Lithium-ION battery pack, cable connections between the battery and the Genverter, a variable speed diesel generator with high efficient permanent magnet fly wheel alternator, a premium class power electronics module containing a high efficient sine wave inverter, a switch-mode high efficient battery charger and an automatic transfer switch between land/inverter and consumers. Optional: solar array charge regulator with MPP control and monitoring protection devices and breakers - solar modules and/or wind generator (have to be ordered separately). The oil cooler/radiator is coming as standard with the system. An additional boiler/heater kit is available to connect the boiler/heater to the power Genverter power system (See page 28 of this catalogue). Please consult us for you specific system requirements.



smart energy solutions

# Custom made systems



## COMING UP!

### GRID INDEPENDER - HYBRID POWER SYSTEM FOR REMOTE LOCATIONS

- Solar / Wind Back-up system, comprising
- 4 kW diesel generator 230 V/50Hz
  - 3.5 kW sine wave inverter 230V/50Hz
  - 3-Step Battery Charger
  - 2 kW Solar Charge Regulator (MPPT)
  - 30 liter Dieseltank
  - 220 Ah / 24 VDC GEL battery
  - Boiler / Heating heat-exchange connection.
  - Size (preliminary): HxWxD 150 x 60 x 50 in mm

## WHISPERPOWER POWER PACKS

We offer complete power packs which can be installed in cabins, containers and shelters. The watercooled diesel generator can be used for heating purposes as well.

These systems are normally delivered with:

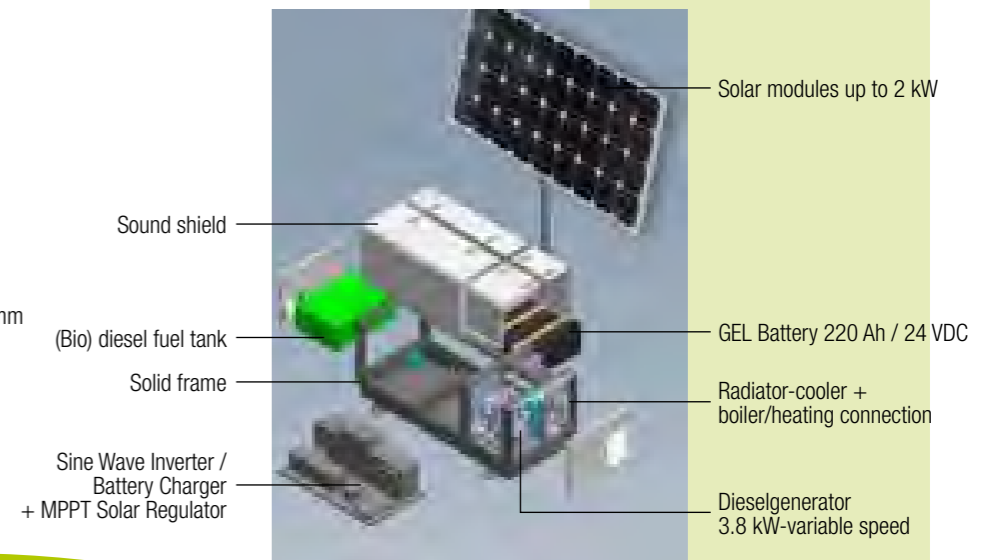
- Radiators and expansion tanks for cooling
- Exhaust mufflers
- Diesel fuel tank
- 230 V (or 120 V) AC outlets
- Fuses for fans
- Inverter / battery charger
- Solar voltage regulator (MPPT)

Also available for 3-phase output voltage. Monitoring & Control (on unit and remote).

### MODELS

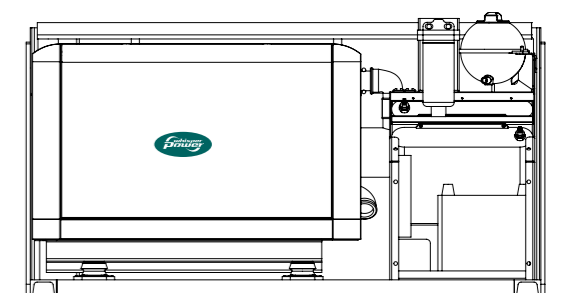
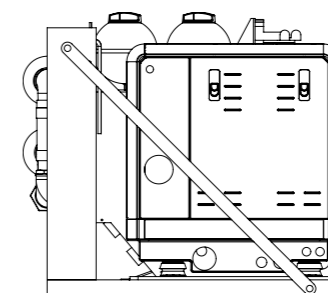
W-SQ 6	Pre-Install
W-SQ 8	Pre-Install
W-SQ 12	Pre-Install
W-SQ 16	Pre-Install
W-SQ 20	Pre-Install
W-SQ 25	Pre-Install

W-SQ 6 Pre-installed, ready to use



## INSTALLATION DRAWING

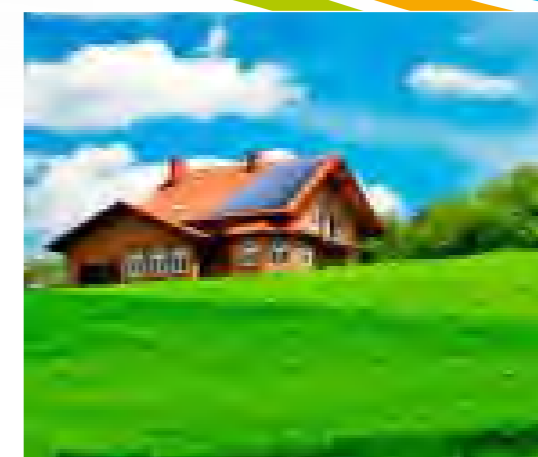
(System W-SQ 6 pre-installed)



smart energy solutions

for general use

# Smart energy solutions



smart energy solutions

# Remote Control panels



DDC control panel 'Digital Diesel Control'



WhisperConnect Interface

Art. no.

## REMOTE CONTROL FOR WHISPER GENERATOR

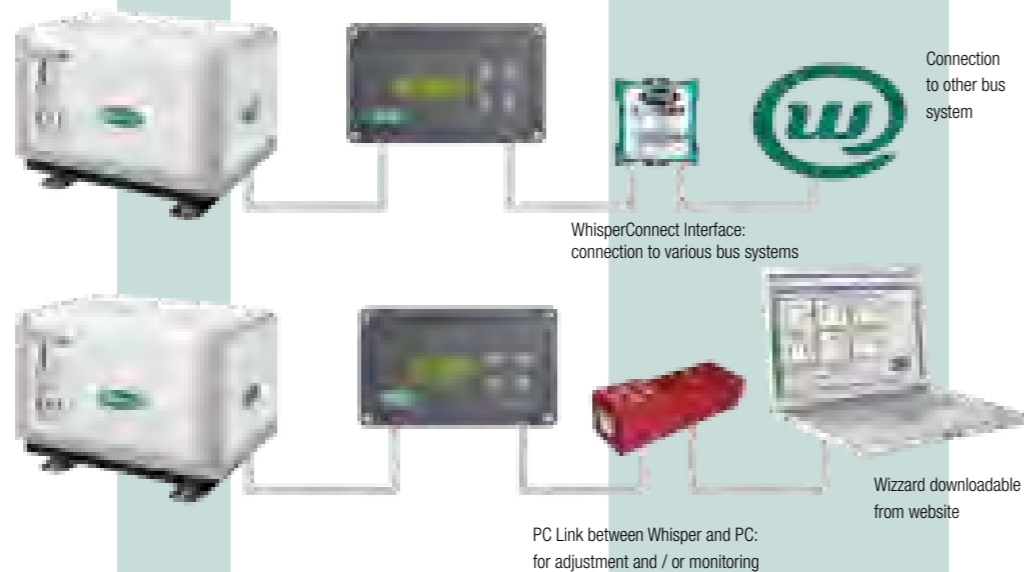
WhisperPower generator sets are supplied with the very advanced digital "Digital Diesel Control" system (DDC).  
The DDC performs automatic starting and stopping, it offers many monitoring functions and shows a large number of actual and historical parameters. Further it supports faultfinding and maintenance.

Suitable to operate with conventional or CAN-bus based communication protocols.

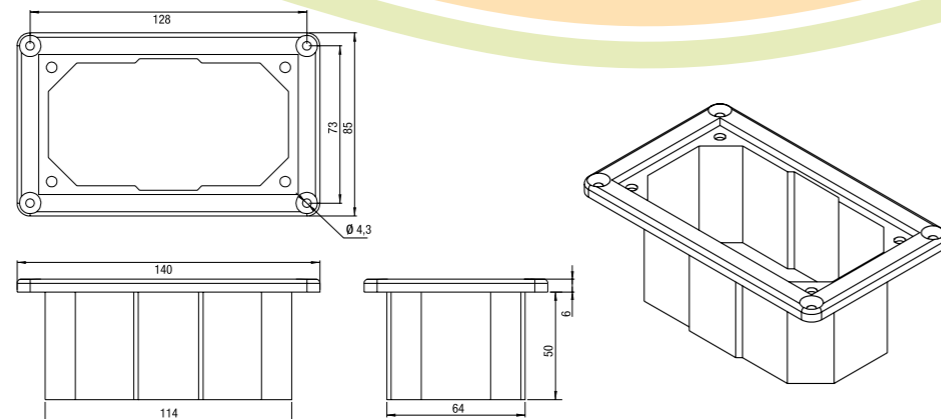
- |          |   |            |
|----------|---|------------|
| 40209102 | DDC panel: Digital Diesel Control, standard for every Whisper generator                       | standard   |
| 40209102 | Additional 2nd panel: DDC panel/slave version for second start/stop location                  | plus price |
| 67030510 | PC Link Industrial, RS485/USB ISO<br>- to connect DDC / Whisper Control to Internet and/or PC |            |

## INTERFACE TO OTHER BUS SYSTEMS

- |          |  |
|----------|--|
| 67031550 | WhisperConnect Interface:<br>from Whisper system (RS 485) to for example MasterBus,<br>includes connectors and 1 metre of cable. |
|----------|--|



## INSTALLATION DRAWING DDC PANEL



smart energy solutions

# Remote Control panels



High resolution full color touch screen (7 Inch)



WhisperConnect Interface, standard delivered with 'touch' panel



**COMING UP:**  
3.5 inch full colour touch screenpanel (Autumn 2011)

## DIMENSIONS

- |                  |              |
|------------------|--------------|
| Length = L:      | 187 mm       |
| Height = H:      | 147 mm       |
| Width = D + T:   | 45 + 4 mm    |
| Cut-out = A x B: | 176 x 136 mm |



smart energy solutions

Art. no.

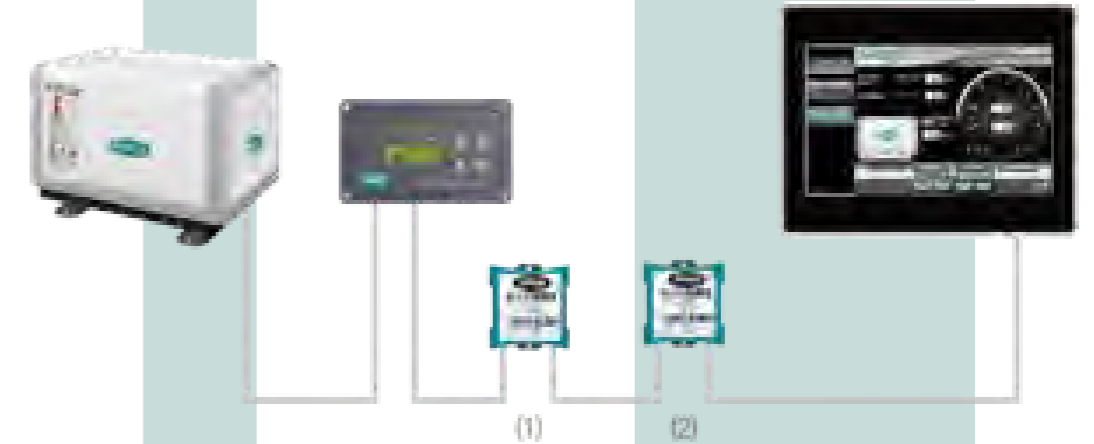
## FULL COLOR TOUCH SCREEN (7 INCH): OPTIONAL

All relevant information about the generator system is clearly indicated on this high resolution 7" TFT widescreen (16:9) display with LED backlight and full vector graphic capabilities. The panel include a set-up mode for automatic starting and stopping, high accuracy Volt/Hz/A/kVA read-out and a starter battery status indicator. Extended historical information, time-to-service and various alarms are standard features for the touch screen display.

Suitable to operate with conventional or CAN-bus based communication protocols.

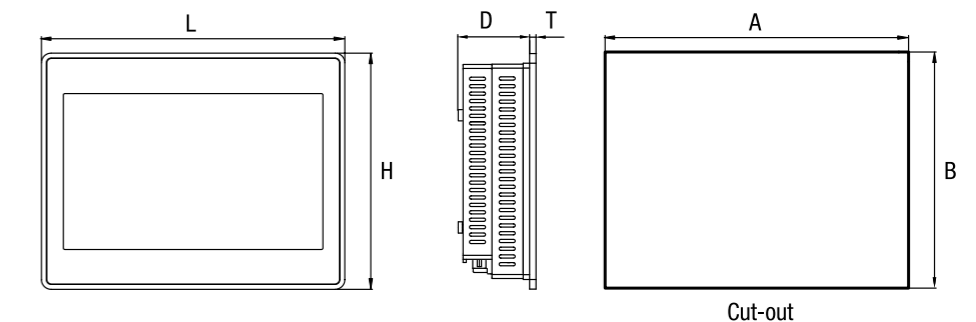
- 7" TFT color display, LED backlight
- 800 x 480 pixel (WVGA) resolution, 64 K colors
- Advanced vector graphics
- Resistive touchscreen
- 64 MB user memory
- 10/100 Ethernet interface, USB interface
- Connection to bus systems using optional plug-in modules
- Slim design. Mounting depth less than 50 mm

- |          |   |
|----------|---|
| 40280101 | Full color touch screen (7 Inch)  |
| 67030501 | WhisperConnect Interface PS:<br>from Whisper system (RS 485) to for example MasterBus, including Power Supply,<br>includes connectors and 1 metre of cable. |



For connection between 7 Inch Touch-Panel and Whisper are WhisperConnect interface (1) and Mod-Bus interface (2) required

## INSTALLATION DRAWING TOUCH SCREEN 7 INCH





# Maintenance free heavy-duty batteries

## GEL power



Art. no.

### GEL POWER - 12 VOLT BATTERIES

Type	dimensions (l x w x h)	weight
40290070 12 V / 100 Ah deep cycle pure GEL battery*)	328 x 172 x 222 mm	30 kg
40290071 12 V / 145 Ah deep cycle pure GEL battery *)	340 x 173 x 280 mm	44 kg
40290072 12 V / 180 Ah deep cycle pure GEL battery *)	530 x 209 x 214 mm	53 kg
40290073 12 V / 225 Ah deep cycle pure GEL battery *)	522 x 240 x 219 mm	65 kg

Deep cycle GEL battery, with 12 years floating design life, superiorly designed for frequent cyclic discharge applications under extreme temperatures. Strong grid applied to insure reliable performance under frequent cyclic discharge use. 400 Cycles could be available at 100% DOD. Offering extra-durable cyclic performance, high efficiency of recovery, which is more suitable for solar, mobility, marine and deep discharge UPS.

### SPECIFICATIONS BATTERY

	100 Ah	145 Ah	180 Ah	225 Ah
<b>Charge/discharge parameter</b>				
Constant voltage Charging (IU, float)	13.60 to 13.80 VDC at 25°C			
Cyclic Charging (IUI, absorption)	14.25 to 14.60 VDC at 25°C			
Recommended charging current limit (higher possible)	20 A	29 A	36 A	45 A
Temperature ratio	4 mv / cell / °C			
Discharge cut off voltage	1.70 V at 0.2 °C (A) <= 1.0°C			
100% depth of discharge d.o.d.				
<b>Rated Capacity at 25°C</b>				
20 hr discharge	100 Ah	145 Ah	180 Ah	225 Ah
10 hr discharge	95 Ah	136 Ah	169 Ah	209 Ah
5 hr discharge	84 Ah	117 Ah	146 Ah	181 Ah
Peukert Coefficient	1.21 <P< 1.24			
Time reserve min. 25 ampere discharge	165 min.	261 min.	341 min.	450 min.
Self discharge	less as 3% per month at 25°C			
Storage time	AGM-power batteries can be stored for maximum 6 months at 25°C. Charging recommended before using.			
<b>Battery parameters</b>				
Cranking amps at 25°C ( 5 sec)	1000 A	1450 A	1800 A	2250 A
Cycle life (at 80% of D.O.D)	600	600	600	600
Internal resistance (approx.)	7.5 MΩ	5.0 MΩ	6.0 MΩ	4.0 MΩ

\*) 20 Hr discharge rate to 1.75 V per cell at 25°C. These long life deep cycle batteries are pure GEL (Not just Gel topping), guaranteeing the longest life time and cycle life. 400 Cycles at 100% DOD, See our data sheets for 20 Hr/ 100 Hr discharge rates

### GEL POWER - 2 VOLT CELLS OPzV

Type	dimensions (l x w x h)	weight
40290040 2 V / 600 Ah*)	145 x 206 x 647 (692)**)	49 kg
40290041 2 V / 800 Ah	210 x 193 x 647 (692)	67 kg
40290042 2 V / 1000 Ah	210 x 235 x 647 (692)	81 kg
40290043 2 V / 1200 Ah	210 x 275 x 647 (692)	97 kg
40290044 2 V / 1500 Ah	210 x 275 x 797 (842)	111 kg

\*) Capacity at 10 hrs discharge at 20°C. \*\*) (this value) Includes valve on top. OPzV type battery for verticle or horizontal use with tubular plates for extended cycle life (80% DOD > 1200 cycles). 6 Cells needed for a 12 V battery configuration, 12 cells needed for a 24 VDC configuration

# Maintenance free heavy-duty batteries

## ION power



Art. no.

### ION POWER\*) - LITHIUM-ION BATTERIES

Type	dimensions (l x w x h)	weight	Price at request
40290050 3.2 V / 40 Ah**)	116 x 44 x 183 mm	1.5 kg	
40290051 3.2 V / 100 Ah	179 x 62 x 218 mm	3.5 kg	
40290052 3.2 V / 160 Ah	209 x 65 x 280 mm	5.6 kg	
40290053 3.2 V / 200 Ah	183 x 100 x 280 mm	7.3 kg	
40290054 3.2 V / 400 Ah	461 x 65 x 285 mm	13.5 kg	
40290055 3.2 V / 700 Ah	627 x 67 x 306 mm	21 kg	
40290056 3.2 V / 1000 Ah	850 x 71 x 375 mm	33 kg	

### Important

Ask for our comprehensive datasheets & Li-ION charge recommendations.



\*) Long life ultra safe Lithium-ION batteries for extended (deep) cycle life. Lighter, smaller and more durable than lead acid batteries.  
\*\*) Charge voltage max 4.0 VDC, discharge voltage max 2.8 VDC. For 12 V 4 cells are needed, for 24 V 8 cells are needed. High - DC configurations can be obtained in one bank. Cells in such case pre-installed in heavy duty container. Battery management system to be included. Cycle life: 3000 cycles at 80% DOD, 5000 cycles at 70% DOD



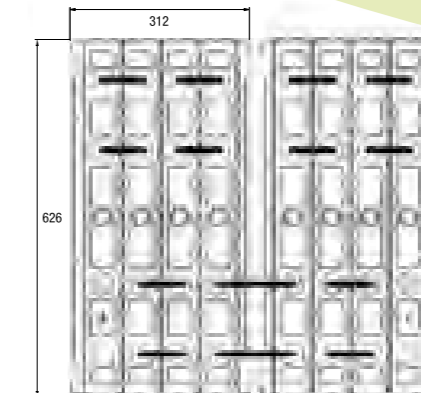
### EXAMPLE OF A 24 V DC/700 AH LI-ION POWER SYSTEM

Two sets of 12 V DC / 700 Ah  
24 V DC / 700 Ah each  
BMS integrated  
Total weight 168 kg



WhisperPower System example: 24V / 1000 Ah Ion Power, installed in Dental Service Vehicle. Genverter 4 Basic, operates as back-up generator.

### DRAWING 24 V / 700 AH SERIES CONFIGURATION



smart energy solutions

smart energy solutions

# Custom fit with carriages and frames

# Easy installation and maintenance



WhisperPower also offers smart solutions for the installation and maintenance of your generator systems. We have developed a compact and easily accessible method for our custom made systems that features a sliding carriage and pre-installable frame that meets your specific needs. If you have any particular requirements, contact WhisperPower and we will provide a tailored solution developed just for you.

## Custom made systems:

### Built to fit with turnkey installation

Say goodbye to installation problems and let WhisperPower custom build and supply your complete generator system. Our Research & Development department will design a fitting solution that meets all your requirements. The technical specialists in our workshop put together the entire installation with all the right accessories, and if required with a rack or carriage for easy installation in your vessel, building or vehicle. WhisperPower delivers your entire system complete with turnkey installation.



### Sliding carriage for easy service: WhisperPower Slide Out System®

Especially for smaller vehicles (and vessels), WhisperPower has developed a practical carriage with a slide out frame for the WhisperPower generator set. This offers fast and easy maintenance and servicing. Every carriage is custom made based on the specific project specifications.

## Plug and play system:

### Frames with complete installation

WhisperPower is unique in the industry for the way we work with pre-installed frames that meet your specific size and installation requirements. In a compact way, all the system components are placed on the frame, including generator, cooling radiator, exhaust system, fuel tank and starter battery. Everything is meticulously tested and connected in our workshop, resulting in an easy plug & play system for your specific application.



# Heavy-duty applications

# Special designs



The gensets and generator systems designed by WhisperPower will operate even in the toughest conditions. They are used in increasingly diverse applications by police, fire crews, the army and filmmakers. Over recent years WhisperPower has supplied heavy duty systems for use in vehicles, vessels and command centres. Each system is custom designed in accordance with the supplied specifications. We have listed a few examples below.

## System units for UN vehicles:

### The power to keep it cool

Custom developed WhisperPower generator systems have been used in army shelters and vehicles for several years. We have developed around one hundred W-SQ8 units for UN applications in the Middle East. These heavy duty units easily supply the required power in peacekeeping Hummer vehicles. In outside temperatures far above 40° C they power air conditioning and communication equipment. Every system is built on a carriage and includes a radiator, starter battery and fuel tank. The three-cylinder Mitsubishi motor and 230 V generator are water-cooled to minimise the chance of dirty air and sand entering the installation.

## Units for shelters and command centres

WhisperPower can be found in an increasing number of behind-the-scenes locations such as the command centre in the movable container from the Kennemerland fire brigade (NL). The custom-made generator system was delivered complete and includes radiators for cooling, an exhaust system and all other necessary built-in components.



## Specific approvals for our products

All WhisperPower products are designed in compliance with CE regulations and manufactured following the relevant ISO rules. Specific type approvals can be obtained at request, like GL, DNV, Lloyds or ABS. In those cases we will make a detailed quotation for the extra costs related to the certification process. Most of our generator products are in compliance as standard with Russian River Register rules, which are valid for Russia. For defence applications we have the ability to design and manufacture according to NATO specifications.





# Delivered anywhere, at any time

## WhisperPower Service & Support



WhisperPower's service and support goes way beyond production and sales. We remain responsible for our products, systems and accessories, providing all necessary service and support before, during and after your purchase. This ranges from systems recommendations and installation to first class service for maintenance and repairs.

### Bespoke system advice

Our engineers and advisors have a wealth of experience in the development and realisation of electrical power systems and are always available to help you plan your own. This includes installing a genset or generator and more complex systems. Our designers will ensure the ideal set-up and a system with optimal efficiency, even when combining your generator system with fuel cells or solar or wind generator power.

### Global sales & distribution network

The growing network of WhisperPower dealers and distributors covers the world. Our international brand is locally represented by companies including bodywork manufacturers, shipyards, electrical and mechanical contractors and sector specific companies. Their trained specialists and professionals are available for servicing mobile, maritime or domestic applications.

### Accurate installation and system set-up

Whenever possible, WhisperPower's technical team will take care of commissioning of your generator system as soon as it is delivered. In several countries - including those in the Benelux region - this service is included in our product offer. This ensures that your system is installed in accordance with the right guidelines and conditions. Contact us for more information about the terms and conditions.

### Our starting point: On-site service

The representatives in our network will provide you with service and technical support in case of repairs or malfunctions. Where possible they will help you on site, wherever you may be in the world.

### 24/7 Hotline for Service & Support

Our technical service is available in case of malfunctions or repairs. Contact us directly 24/7 from anywhere in the world via the international WhisperPower Hotline Service & Support line on +31 512 571 555.

We will provide support ourselves where possible, or bring you into contact with our local representative.

### Periodical training: Up-to-date expertise

Expertise is the foundation for the best service. Every WhisperPower representative has up-to-date knowledge and the benefit of our global experience. Via periodical training courses we ensure our specialists have the latest information on installations and applications as well as our product range. As a result you are guaranteed that WhisperPower offers more than product and packaging: We offer you our expertise as standard.

### Minimal downtime during repairs

If necessary, WhisperPower will carry out repairs or maintenance of our products at another location, in a regional workshop or at our head office. In most cases you will be provided with a replacement solution to ensure that your system downtime is kept to a minimum.

### Up-to-date product specifications

Detailed specifications of the WhisperPower products are available on our website and in brochures and manuals. As we are continuously improving our products, specifications are subject to change without notice.



# Long-term peace of mind

## The WhisperPower WarrantyPlan



When purchasing our products and systems, you always have the certainty of a dedicated WhisperPower WarrantyPlan. This plan covers as standard the costs of repairs and/or replacement of defective parts when products are used in 'normal' circumstances.

The conditions for the WhisperPower WarrantyPlan are specific to the product and the use thereof in your system. The standard warranty term for equipment is two years. With an authorised system installations maintenance contract, the warranty term is extended to five years.

The warranty term for generator systems is based on a maximum number of operating hours. For 3000/3600 rpm sets the maximum is 1000 operating hours, for 1500/1800 rpm sets and our Genverter 7i and 50/100/200/kW models the limit has been set at 2000 operating hours. Extra costs for installation, travel and transport are not included, unless agreed otherwise.

More information about the exact conditions of the WhisperPower WarrantyPlan is available on our website.



smart energy solutions

## References (selection)



### MARINE REFERENCES

- Baltic Yachts • Nautor Swan • Siltala Yachts - Nauticat • Hallberg Rassy • Malo Yachts
- Najad • Nord West Yachts • Windy Yachts • Nimbus • X Yachts • Linssen Yachts
- Contest Yachts • C-Yacht • Sturier Yachts • Wim Van Der Valk Yachts • Pacific Yachts
- Van Der Heijden Yachts • Neptunus Shipbuilding • Jachtwerf Mulder • De Boarnstream
- De Alm Jachtbouw • Atlantic • K&M Jachtbouw • Holterman Yachts • Consonant Yachts
- Grootship • Damen Shipyard Group • Jachtwerf Gruno • Pedro Boat • Pikmeerkruiser
- Rapsody Yachts • Davinci Yachts • Smelne Yachts • Vri-Jon • Vacance • Spirit Yachts
- Privateer • Northshore Yachts • Vennekens • Jeanneau • Beneteau • Menorquin
- Rodman • Discovery Yachts • Oyster Yachts • Rustler Yachts • Braidbair Narrowboats
- Aquastar • Piper Dutch Barges • Faeton Yachts, S.L. • Cockwells Boatbuilder

### MOBILE/LAND BASED REFERENCES

- Dutch Police (Koninklijke Marechaussee), The Netherlands • United Nations - Troops In The Middle East (Humvee's), Middle East
- Beijing Zhonglifeeng Science Development Corporation Co Ltd., China • Van Venrooy Special Vehicle Construction, The Netherlands
- Kongsberg Defence And Aerospace, Norway • Cuppers Carrosserieën B.V., The Netherlands • Vtm Vlamish Broadcasting, Belgium
- Boeckmann Fahrzeugwerke, Germany • Whittaker Horseboxes, United Kingdom • Roelofsen Horseboxes, The Netherlands
- Chongqing Dima Industry Co Ltd., China • Vdl / Berkhof Coach Company, The Netherlands • Reydams Special Cars Building, Belgium
- Cebotec Commercial Engineering & Body Technology, United Kingdom • Rohde & Schwarz, Singapore • Studiotech Sa, Belgium
- Carrosserie Elenbaas, The Netherlands • Ketterer Spezialfahrzeuge Ag, Germany • Karhof Special Vehicle Construction, The Netherlands
- Moeyersons, Belgium • Fire Fighting Haarlem, The Netherlands • Tam Shelter Construction As, Norway • Action Mobil, Austria
- Dutch Broadcasting, The Netherlands • Evolution Sonderfahrzeuge, Germany • Beijing Police, China • Honac Pon, The Netherlands
- Engineer Service, Ukraine • Scott Medical Ltd., United Kingdom • Chongqing Dima Industry Co Ltd., China • Hymer Mobil, Germany
- JS Fraser Specialist Coachbuilders, United Kingdom

References Summary: These companies use Whisper generator systems



smart energy solutions



**POP-UP EXHIBITION WALL**

Available for in-house shows or small exhibitions, together with dummy-models of our various products. Dummy-units can be provided at any time

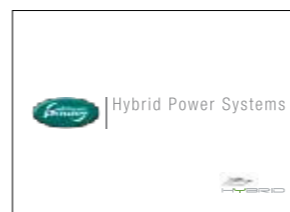
# WhisperPower marketing Professional promotional support



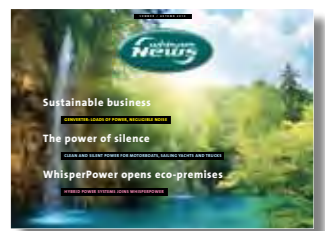
Our global multi-media approach has put our name on the world map already as a premium systems supplier. We provide our business partners with attractive display material, well designed brochures and various other promotional items. We are always prepared to offer active sales support. Here we show a few examples of our marketing tool kit.



State-of-the-art information material: brochures, leaflets, catalogue, most of them also available in other languages such as German, French, Spanish, Italian, Chinese and Dutch of course



The new WhisperPower catalogue is now available in English and Dutch. German, Spanish, French, Chinese to follow (Q4 2010)



Our WhisperNews glossy magazine keeps you informed and up-to-date on company developments and progress



On our website you will find the latest information and news, go to [www.whisperpower.com](http://www.whisperpower.com)



Our technical sales partners can be recognized by our service dealer sign on their building or vehicle

service dealer



WhisperPower cap



An attractive line of promotional wear is available for shows and events

# Information and contact Addresses



For more information and advice about WhisperPower products and services you can contact our local distributors and technical sales partners. For an up to date list of addresses and phone numbers go to [www.whisperpower.com](http://www.whisperpower.com).



## HEADQUARTERS:

WhisperPower BV,  
Kelvinlaan 82,  
9207 JB Drachten,  
The Netherlands,  
Tel: +31 (0) 512 571 550,  
Fax: +31 (0) 512 571 599,  
[info@whisperpower.com](mailto:info@whisperpower.com)  
[www.whisperpower.com](http://www.whisperpower.com)

## UNITED KINGDOM & IRELAND

Tel: +44 (0) 77 8092 8997

## SPAIN & PORTUGAL

Tel: +34 608 733 369

## GERMANY

Tel: +49 151 157 590 10

## FRANCE

Tel: +33 6 1007 6302

## CHINA 上海威仕博动力系统有限公司

B-1F, No.1 building, No.185, Jiaoji Road,  
Putuo District, SHANGHAI, 200333, CHINA

## SALES INTERNATIONAL:

Tel: +31 (0) 512 571 565  
[sales@whisperpower.com](mailto:sales@whisperpower.com)

## TECHNICAL SUPPORT:

Tel: +31 (0) 512 571 565  
[service@whisperpower.com](mailto:service@whisperpower.com)

## SERVICE & SUPPORT HOTLINE: (24/7)

Tel: +31 (0) 512 571 555  
Fax: +31 (0) 512 571 599



smart energy solutions



International



Benelux



United Kingdom



Germany



France



Spain & Portugal



America



China



Pacific

Technical sales partner:



smart energy solutions